

# High Performance Dual QSPI Persistent SRAM Memory

(AS3064204, AS3128208)

## Features

- Interface
  - Dual Quad SPI – support 8-bit wide transfer
    - Dual QPI (4-4-4) – up to 108MHz SDR
    - Dual QPI (4-4-4) – up to 54MHz DDR
- Density
  - 64Mb, 128Mb
- Voltage Range Under Radiation
  - $V_{CC}$ : 2.50V – 3.00V \*
  - $V_{CCIO}$ : 1.8V, 2.5V, 3.0V \*
- Temperature Range
  - Operating: -40°C to 125°C
  - Operating under Radiation: -40°C to 85°C \*
- Technology
  - 22 nm pMTJ STT-MRAM
    - Data Endurance:  $10^{16}$  write cycles
    - Data Retention: 20 years @ 85°C
- Packages
  - 56-ball FBGA (10mm x 10mm)
- Data Protection
  - Hardware Based
    - Dedicated Hardware Signals (HBP0, HBP1, HBP2) in conjunction with Top/Bottom Select Signal (HTBSEL)
  - Software Based
    - Address Range Selectable through Configuration bits (Top/Bottom, Block Protect [2:0])
- 48-hour burn-in at 125°C
- RoHS & REACH Compliant \*\*
- PEMS-INST-001 Flow \*\*\*

\* To assure a Safe Operating Area, limit the device to these specifications.

\*\* Leaded Balls available

\*\*\* PEMS-INST-001 Flow available as custom option through partners

## Table of Contents

<b>Features</b> .....	1
<b>Table of Contents</b> .....	2
<b>General Description</b> .....	5
<b>Ordering Options</b> .....	6
<b>Valid Combinations — Standard</b> .....	7
<b>Marking Specification — Standard</b> .....	7
<b>Signal Description and Assignment</b> .....	9
<b>Package Options</b> .....	16
<b>QSPI, SPI (56-Ball FBGA – Balls Down, Top View)</b> .....	16
<b>D-QSPI, SPI (56-Ball FBGA – Balls Down, Top View)</b> .....	17
<b>Package Drawings</b> .....	18
<b>56-Ball FBGA</b> .....	18
<b>Device Initialization</b> .....	22
<b>Memory Map</b> .....	24
<b>Register Addresses</b> .....	24
Hardware Block Protection.....	25
<b>Register Map</b> .....	27
Status Register / Device Protection Register (Read/Write).....	27
Flag Status Register (Read Only) .....	30
Device Identification Register (Read Only).....	30
Configuration Register 1 (Read/Write) .....	31
Configuration Register 2 (Read/Write) .....	32
Interrupt Configuration Register (Read/Write).....	34
Error Correction Code (ECC) Test – Data Input Register .....	35
Error Correction Code (ECC) Test – Error Injection.....	35
Error Correction Code (ECC) Test – Data Output Register .....	35
Error Correction Code (ECC) – Error Count Register .....	35
<b>Instruction Set</b> .....	37
<b>Instruction Description and Structures</b> .....	40

<b>Electrical Specifications .....</b>	<b>48</b>
<b>CS# Operation &amp; Timing .....</b>	<b>51</b>
<b>Data Output Operation &amp; Timing .....</b>	<b>52</b>
<b>WP# Operation &amp; Timing .....</b>	<b>53</b>
<b>Thermal Resistance.....</b>	<b>54</b>
<b>Product Use Limitations .....</b>	<b>55</b>
<b>Limited Warranty.....</b>	<b>55</b>
<b>Revision History.....</b>	<b>56</b>
<b>Figure 1: Ordering Options.....</b>	<b>6</b>
<b>Figure 2: Device Marking.....</b>	<b>8</b>
<b>Figure 3: Device Pinout.....</b>	<b>9</b>
<b>Figure 4: Single QSPI System Block Diagram .....</b>	<b>10</b>
<b>Figure 5: Dual QSPI System Block Diagram.....</b>	<b>10</b>
<b>Figure 6: 56-Ball FBGA.....</b>	<b>16</b>
<b>Figure 7: 56-Ball FBGA.....</b>	<b>17</b>
<b>Figure 8: Functional Block Diagram.....</b>	<b>21</b>
<b>Figure 9: Power-Up Behavior .....</b>	<b>22</b>
<b>Figure 10: Power-Down and Brown-out Behavior .....</b>	<b>23</b>
<b>Figure 11: Description of (1-0-0) Instruction Type.....</b>	<b>41</b>
<b>Figure 12: Description of (1-0-1) Instruction Type.....</b>	<b>41</b>
<b>Figure 13: Description of (1-1-1) Read Instruction Type (Without XIP).....</b>	<b>41</b>
<b>Figure 14: Description of (1-1-1) Read Instruction Type (With XIP) .....</b>	<b>42</b>
<b>Figure 15: Description of (1-1-4) Read Instruction Type (With XIP) .....</b>	<b>42</b>
<b>Figure 16: Description of (1-4-4) Read Instruction Type (With XIP) .....</b>	<b>43</b>
<b>Figure 17: Description of (4-0-0) Instruction Type.....</b>	<b>43</b>
<b>Figure 18: Description of (4-0-4) Instruction Type.....</b>	<b>44</b>
<b>Figure 19: Description of (4-4-4) Any Register Instruction Type (Without XIP) .....</b>	<b>45</b>
<b>Figure 20: Description of (4-4-4) Instruction Type (With XIP) .....</b>	<b>46</b>
<b>Figure 21: Description of (1-1-1) DDR Instruction Type (With XIP) .....</b>	<b>46</b>
<b>Figure 22: Description of (1-4-4) DDR Instruction Type (With XIP) .....</b>	<b>47</b>
<b>Figure 23: CS# Operation &amp; Timing.....</b>	<b>51</b>
<b>Figure 24: Command, Address and Data Input Operation &amp; Timing.....</b>	<b>52</b>
<b>Figure 25: Data Output Operation &amp; Timing.....</b>	<b>52</b>
<b>Figure 26: WP# Operation &amp; Timing.....</b>	<b>53</b>

<b>Table 1: Technology Comparison</b> .....	<b>5</b>
<b>Table 2: Valid Combinations List</b> .....	<b>7</b>
<b>Table 3: QSPI AS3064204 Signal Description</b> .....	<b>11</b>
<b>Table 4: D-QSPI AS3128208 Signal Description</b> .....	<b>13</b>
<b>Table 5: Interface Modes of Operations</b> .....	<b>19</b>
<b>Table 6: Clock Edge Used for instructions</b> .....	<b>20</b>
<b>Table 7: Modes of Operation</b> .....	<b>21</b>
<b>Table 8: Power Up/Down Timing – 3.0V</b> .....	<b>23</b>
<b>Table 9: 32Mb-128Mb Memory Map</b> .....	<b>24</b>
<b>Table 10: Individual Section Address Range</b> .....	<b>24</b>
<b>Table 11: Register Addresses</b> .....	<b>24</b>
<b>Table 12: Hardware Top Block Protection Address Range Selection (HTBSEL Signal = L)</b> .....	<b>25</b>
<b>Table 13: Hardware Bottom Block Protection Address Range Selection (HTBSEL Signal = H)</b> .....	<b>26</b>
<b>Table 14: Status Register – Read and Write</b> .....	<b>27</b>
<b>Table 15: Top Block Protection Address Range Selection (TBPSEL=0)</b> .....	<b>27</b>
<b>Table 16: Bottom Block Protection Address Range Selection (TBPSEL=1)</b> .....	<b>28</b>
<b>Table 17: Write Protection Modes</b> .....	<b>28</b>
<b>Table 18: Flag Status Register (Read Only)</b> .....	<b>30</b>
<b>Table 19: Device Identification Register – Read Only</b> .....	<b>30</b>
<b>Table 20: Configuration Register 1 – Read and Write</b> .....	<b>31</b>
<b>Table 21: Configuration Register 2 (CR2) – Read and Write</b> .....	<b>32</b>
<b>Table 22: Memory Array Read Latency Cycles vs. Maximum Clock Frequency (with XIP)</b> 33	
<b>Table 23: Memory Read Latency Cycles vs. Maximum Clock Frequency (without XIP)....</b> 33	
<b>Table 24: Read Any Register Command Latency Cycles vs. Maximum Clock Frequency</b> 33	
<b>Table 25: Interrupt Configuration Register – Read and Write</b> .....	<b>34</b>
<b>Table 26: ECC Test Data Input Register – Read and Write</b> .....	<b>35</b>
<b>Table 27: ECC Test Error Injection Register – Read and Write</b> .....	<b>35</b>
<b>Table 28: ECC Test Data Output Register – Read Only</b> .....	<b>35</b>
<b>Table 29: ECC Count Register – Read Only</b> .....	<b>36</b>
<b>Table 30: Instruction Set</b> .....	<b>37</b>
<b>Table 31: Recommended Operating Conditions</b> .....	<b>48</b>
<b>Table 32: Pin Capacitance</b> .....	<b>48</b>
<b>Table 33: Endurance &amp; Data Retention</b> .....	<b>48</b>
<b>Table 34: 3.0V DC Characteristics</b> .....	<b>49</b>
<b>Table 35: Absolute Maximum Ratings</b> .....	<b>50</b>
<b>Table 36: AC Test Conditions</b> .....	<b>51</b>
<b>Table 37: CS# Operation</b> .....	<b>51</b>
<b>Table 38: Command, Address, XIP, and Data Input Operation &amp; Timing</b> .....	<b>52</b>
<b>Table 39: Data Output Operation &amp; Timing</b> .....	<b>53</b>
<b>Table 40: WP# Operation &amp; Timing</b> .....	<b>53</b>
<b>Table 41: Thermal Resistance</b> .....	<b>54</b>

## General Description

AS3xxxx204/8 is a magneto-resistive random-access memory (MRAM). It is offered in density ranging from 64Mbit to 128Mbit. MRAM technology is analogous to Flash technology with SRAM compatible read/write timings (Persistent SRAM, P-SRAM). Data is always non-volatile.

**Table 1: Technology Comparison**

	SRAM	Flash	EEPROM	MRAM
<b>Non-Volatility</b>	–	√	√	√
<b>Write Performance</b>	√	–	–	√
<b>Read Performance</b>	√	–	–	√
<b>Endurance</b>	√	–	–	√
<b>Power</b>	–	–	–	√

MRAM is a true random-access memory; allowing both reads and writes to occur randomly in memory. MRAM is ideal for applications that must store and retrieve data without incurring large latency penalties. It offers low latency, low power, virtually infinite endurance and retention, and scalable non-volatile memory technology.

AS3xxxx204 has a Single QSPI Interface, while AS3xxxx208 has a Dual QSPI Interface. SPI is a synchronous interface which uses separate lines for data and clock to help keep the host and slave in perfect synchronization. The clock tells the receiver exactly when to sample the bits on the data line. This can be either the rising (low to high) or falling (high to low) or both edges of the clock signal; please consult the instruction sequences in this datasheet for more details. When the receiver detects that correct edge, it can latch in the data.

AS3xxxx204/8 is available in small footprint 56-Ball FBGA package. The ball assignment is compatible with our 96/224-Ball FBGA packages and allows an upgrade path to higher densities. Board designers are encouraged to allow a keep out zone if they wish to allow an upgrade to our higher density family of Dual QSPI devices.

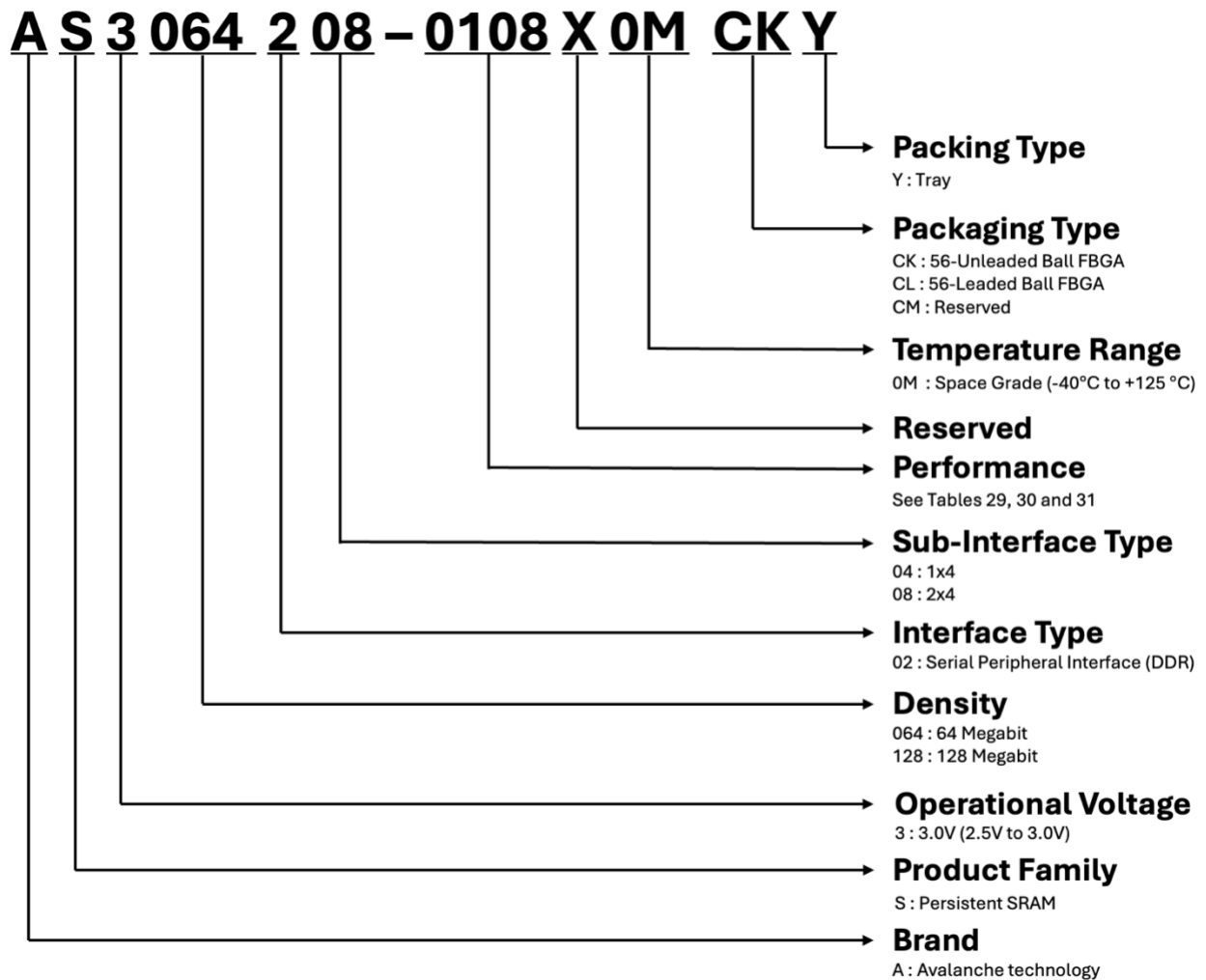
AS3xxxx204/8 is offered with industrial (-40°C to 85°C) and in Space Grade (-40°C to 125°C) operating temperature ranges.

## Ordering Options

The ordering part numbers are formed by a valid combination of the following options:

**Figure 1: Ordering Options**

Preliminary



### Valid Combinations — Standard

Valid Combinations list includes device configurations currently available. Contact your local sales office to confirm availability of specific valid combinations and to check on newly released combinations.

**Table 2: Valid Combinations List**

Valid Combinations				
Base Part Number	Temperature Range	Package Type	Packing Type	Part Number
AS3064204-0108X	0M	CK	Y	AS3064204-0108X0MCKY
AS3128208-0108X	0M	CK	Y	AS3128208-0108X0MCKY
AS3064204-0108X	0M	CL	Y	AS3064204-0108X0MCLY
AS3128208-0108X	0M	CL	Y	AS3128208-0108X0MCLY

### Marking Specification — Standard

The device will be marked according to the following specification:

Line #1 & Line #2 will match the part number in Table 2

Line #3 Will show: 5 digit Alphanumeric Code + Country of Origin + Date Code

Line #4 May or May not be marked. This field is reserved for Avalanche Technology

Line #5 May or May not be marked. This field is reserved for Avalanche Technology

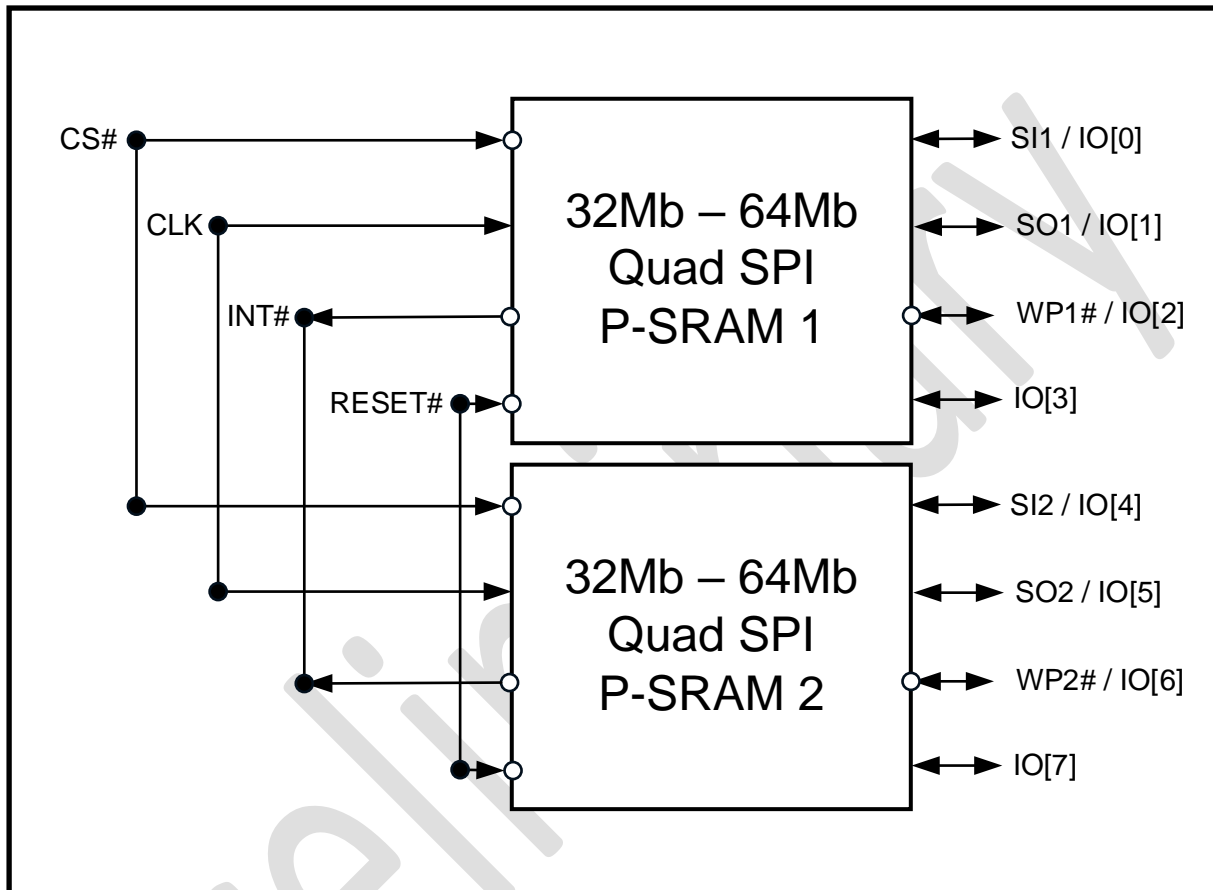
**Figure 2: Device Marking**

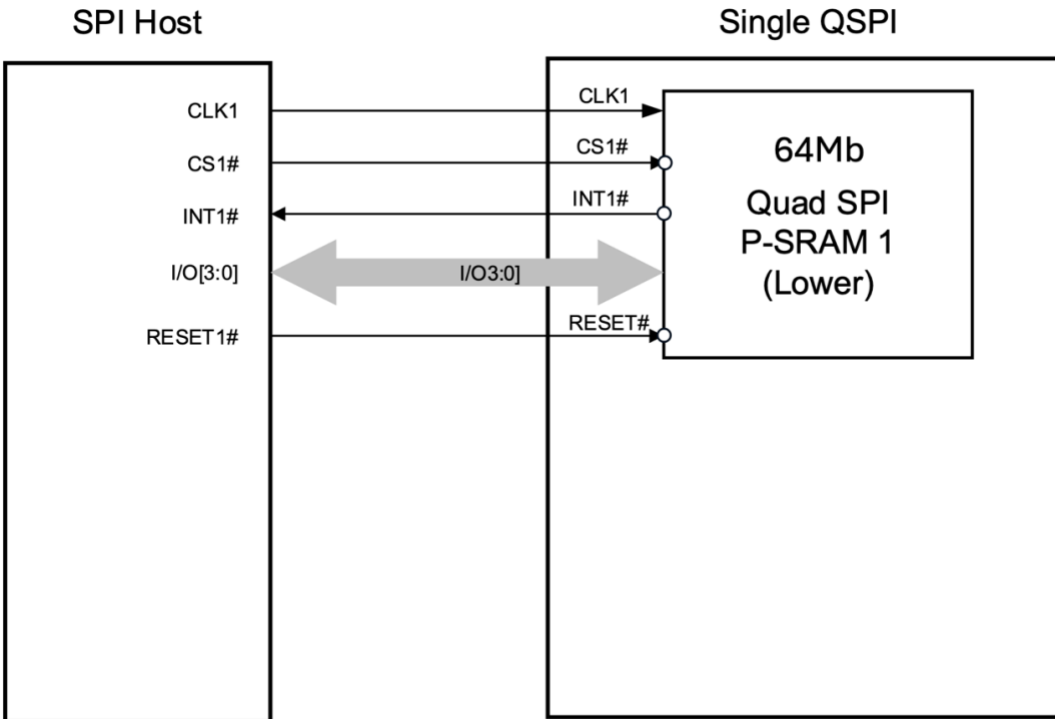
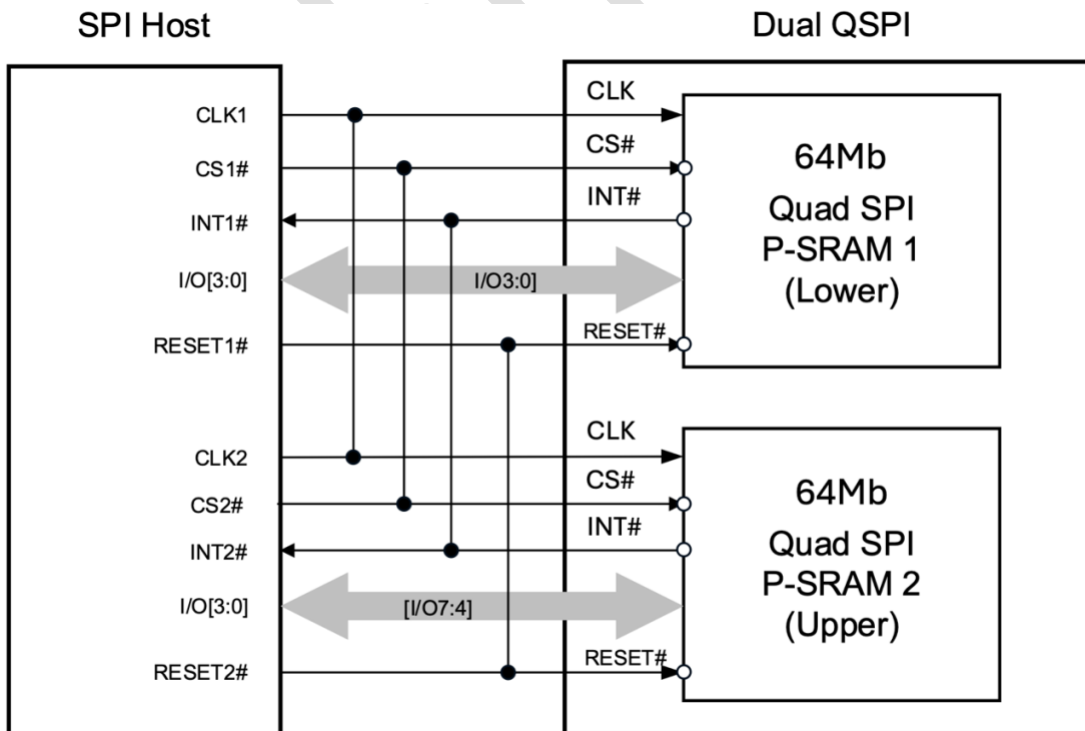
	xxxx-yyyy	←	Line #5
		←	LOGO
AS3064204-		←	Line #1
0108X0MCKY		←	Line #2
KM0YG KR 2337		←	Line #3
	bbbb	←	Line #4



## Signal Description and Assignment

Figure 3: Device Pinout



**Figure 4: Single QSPI System Block Diagram**

**Figure 5: Dual QSPI System Block Diagram**


**Table 3: QSPI AS3064204 Signal Description**

Signal		Type	Description
<b>CS1#</b>	E2	Input	<b>Chip Select:</b> When CS# is driven High, the device will enter standby mode. All other input pins are ignored and the output pin is tri-stated. Driving CS# Low enables the device, placing it in the active mode. After power-up, a falling edge on CS# is required prior to the start of any instructions.
<b>DNU</b>	C3	---	Do Not Use: DNUs must be left unconnected, floating.
<b>SI1 / IO[0]</b>	F3	Input / Bidirectional	<b>Serial Data Input (SPI):</b> The unidirectional I/O transfers data into the device on the rising edge of the clock in Single SPI mode. <b>Bidirectional Data 0 (QPI):</b> The bidirectional I/O transfers data into and out of the device in Quad mode. Device 1
<b>SO1 / IO[1]</b>	F2	Input / Bidirectional	<b>Serial Data Input (SPI):</b> The unidirectional I/O transfers data into the device on the rising edge of the clock in Single SPI mode. <b>Bidirectional Data 1 (QPI):</b> The bidirectional I/O transfers data into and out of the device in Quad mode. Device 1
<b>WP1# / IO[2]</b>	E4	Input / Bidirectional	<b>Write Protect (SPI):</b> Write protects the status register in conjunction with the enable/disable bit of the status register. This is important since other write protection features are controlled through the Status Register. When the enable/disable bit of the status register is set to 1 and the WP# signal is driven Low, the status register becomes read-only and the WRITE STATUS REGISTER operation will not execute. This signal does not have internal pull-ups, it cannot be left floating and must be driven. WP# is valid only in Single SPI mode. This pin can be tied to Vcc if not used. <b>Bidirectional Data 2 (QPI):</b> The bidirectional I/O transfers data into and out of the device in Quad mode. Device 1
<b>IO1[3]</b>	F4	Bidirectional	<b>Bidirectional Data 3 (QPI):</b> The bidirectional I/O transfers data into and out of the device in Quad mode. Device 1
<b>DNU</b>	F5	---	Do Not Use: DNUs must be left unconnected, floating.
<b>DNU</b>	G3	---	Do Not Use: DNUs must be left unconnected, floating.
<b>DNU</b>	E4	---	Do Not Use: DNUs must be left unconnected, floating.
<b>DNU</b>	G1	---	Do Not Use: DNUs must be left unconnected, floating.
<b>CLK1</b>	D2	Input	<b>Clock 1:</b> Provides the timing for device 1 serial interface. Depending on the mode selected, either single (rising or falling) edge or both edges of the clock are utilized for information transfer. In Single Data Rate mode (SDR) command, address and data inputs are latched on the rising edge of the clock. Data is output on the falling edge of the clock. In Double Data Rate mode (DDR) command is latched on the rising edge of the clock. Address and Data inputs are latched on both edges of the clock. Similarly, Data is output on both edges of the clock. The following two SPI clock modes are supported. <ul style="list-style-type: none"> <li>• <b>SPI Mode 0 (CPOL = 0, CPHA = 0) – SDR and DDR</b></li> <li>• <b>SPI Mode 3 (CPOL = 1, CPHA = 1) – SDR only</b></li> </ul>
<b>DNU</b>	D1		Do Not Use: DNUs must be left unconnected, floating.
<b>INT1#</b>	C5	Output	Interrupt 1: Output generated by device 1 when an unrecoverable ECC error is detected during read operation (output goes low on error).
<b>DNU</b>	D3	---	Do Not Use: DNUs must be left unconnected, floating.

Signal		Type	Description
<b>RESET#</b>	C4	Input	This is a RESET# signal. When this signal is driven high, the device is in the normal operating mode. When this signal is driven low, the device is in reset mode and the output is High-Z. This signal resets both devices.
<b>HBP[0:2]</b>	A5, A6, B7	Input	HPB0, HBP1, HBP2: these Hardware Block Protect signals, when driven High or Low, define the size of the memory array to be hardware protected against all Write memory array instructions: These balls have a Pull down to Vss. If left disconnected they will be seen by device as "Low".
<b>HTBSEL</b>	C7	Input	This signal when driven High or Low, is used in conjunction with the Hardware Block Protect Pins (HBP0, HBP1, and HBP2) determines if the write-protected memory area defined by the state of the HBP pins, starts from the top or the bottom of the memory array: This ball have a Pull down to Vss. If left disconnected it will be seen by device as "Low".
<b>V<sub>cc</sub></b>	A2, A4, D4, D6, D7, F7	Supply	Core power supply
<b>V<sub>ccio</sub></b>	A7, B2, B4, C6, F1, F6, G4	Supply	I/O power supply
<b>V<sub>ss</sub></b>	A1, A3, B3, E5, E6, E7, G7, A8	Supply	Core ground supply.
<b>V<sub>ssio</sub></b>	B1, B5, B6, E1, G5, G6	Supply	I/O ground supply.
<b>DNU</b>	C1, C2, D5, E3, B8, C8, D8, E8, F8, G8	-	Do Not Use: DNU's must be left unconnected, floating.

**Table 4: D-QSPI AS3128208 Signal Description**

Signal		Type	Description
CS1#	E2	Input	<b>Chip Select:</b> When CS# is driven High, the device will enter standby mode. All other input pins are ignored and the output pin is tri-stated. Driving CS# Low enables the device, placing it in the active mode. After power-up, a falling edge on CS# is required prior to the start of any instructions.
CS2#	C3	Input	<b>Chip Select 2:</b> When CS2# is driven High, the Quad SPI device 2 will enter standby mode. All other input pins are ignored and the output pin is tri-stated. Driving CS2# Low enables device 2, placing it in the active mode. After power-up, a falling edge on CS2# is required prior to the start of any instructions.
SI1 / IO[0]	F3	Input / Bidirectional	<b>Serial Data Input (SPI):</b> The unidirectional I/O transfers data into the device on the rising edge of the clock in Single SPI mode. <b>Bidirectional Data 0 (QPI):</b> The bidirectional I/O transfers data into and out of the device in Quad mode. Device 1
SO1 / IO[1]	F2	Input / Bidirectional	<b>Serial Data Input (SPI):</b> The unidirectional I/O transfers data into the device on the rising edge of the clock in Single SPI mode. <b>Bidirectional Data 1 (QPI):</b> The bidirectional I/O transfers data into and out of the device in Quad mode. Device 1
WP1# / IO[2]	E4	Input / Bidirectional	<b>Write Protect (SPI):</b> Write protects the status register in conjunction with the enable/disable bit of the status register. This is important since other write protection features are controlled through the Status Register. When the enable/disable bit of the status register is set to 1 and the WP# signal is driven Low, the status register becomes read-only and the WRITE STATUS REGISTER operation will not execute. This signal does not have internal pull-ups, it cannot be left floating and must be driven. WP# is valid only in Single SPI mode. This pin can be tied to Vcc if not used. <b>Bidirectional Data 2 (QPI):</b> The bidirectional I/O transfers data into and out of the device in Quad mode. Device 1
IO1[3]	F4	Bidirectional	<b>Bidirectional Data 3 (QPI):</b> The bidirectional I/O transfers data into and out of the device in Quad mode. Device 1
SI2 / IO[4]	F5	Input / Bidirectional	<b>Serial Data Input (SPI):</b> The unidirectional I/O transfers data into the device on the rising edge of the clock in Single SPI mode. <b>Bidirectional Data 0 (QPI):</b> The bidirectional I/O transfers data into and out of the device in Quad mode. Device 2
SO2 / IO[5]	G3	Input / Bidirectional	<b>Serial Data Input (SPI):</b> The unidirectional I/O transfers data into the device on the rising edge of the clock in Single SPI mode. <b>Bidirectional Data 1 (QPI):</b> The bidirectional I/O transfers data into and out of the device in Quad mode. Device 2
WP2# / IO[6]	E4	Input / Bidirectional	<b>Write Protect (SPI):</b> Write protects the status register in conjunction with the enable/disable bit of the status register. This is important since other write protection features are controlled through the Status Register. When the enable/disable bit of the status register is set to 1 and the WP# signal is driven Low, the status register becomes read-only and the WRITE STATUS REGISTER operation will not execute. This signal does not have internal pull-ups, it cannot be left floating and must be driven. WP# is valid only in Single SPI mode. This pin can be tied to Vcc if not used. <b>Bidirectional Data 2 (QPI):</b> The bidirectional I/O transfers data into and out of the device in Quad mode. Device 2
IO2[7]	G1	Bidirectional	<b>Bidirectional Data 3 (QPI):</b> The bidirectional I/O transfers data into and out of the device in Quad mode. Device 2

Signal		Type	Description
CLK1	D2	Input	<p><b>Clock 1:</b> Provides the timing for device 1 serial interface. Depending on the mode selected, either single (rising or falling) edge or both edges of the clock are utilized for information transfer.</p> <p>In Single Data Rate mode (SDR) command, address and data inputs are latched on the rising edge of the clock. Data is output on the falling edge of the clock.</p> <p>In Double Data Rate mode (DDR) command is latched on the rising edge of the clock. Address and Data inputs are latched on both edges of the clock. Similarly, Data is output on both edges of the clock.</p> <p>The following two SPI clock modes are supported.</p> <ul style="list-style-type: none"> <li>• SPI Mode 0 (CPOL = 0, CPHA = 0) – SDR and DDR</li> <li>• SPI Mode 3 (CPOL = 1, CPHA = 1) – SDR only</li> </ul>
CLK2	D1	Input	<p><b>Clock 2:</b> Provides the timing for device 2 serial interface. Depending on the mode selected, either single (rising or falling) edge or both edges of the clock are utilized for information transfer.</p> <p>In Single Data Rate mode (SDR) command, address and data inputs are latched on the rising edge of the clock. Data is output on the falling edge of the clock.</p> <p>In Double Data Rate mode (DDR) command is latched on the rising edge of the clock. Address and Data inputs are latched on both edges of the clock. Similarly, Data is output on both edges of the clock.</p> <p>The following two SPI clock modes are supported.</p> <ul style="list-style-type: none"> <li>• SPI Mode 0 (CPOL = 0, CPHA = 0) – SDR and DDR</li> <li>• SPI Mode 3 (CPOL = 1, CPHA = 1) – SDR only</li> </ul>
INT1#	C5	Output	Interrupt 1: Output generated by device 1 when an unrecoverable ECC error is detected during read operation (output goes low on error).
INT2#	D3	Output	Interrupt 2: Output generated by device 2 when an unrecoverable ECC error is detected during read operation (output goes low on error).
RESET#	C4	Input	This is a RESET# signal. When this signal is driven high, the device is in the normal operating mode. When this signal is driven low, the device is in reset mode and the output is High-Z. This signal resets both devices.
HBP[0:2]	A5, A6, B7	Input	HPB0, HBP1, HBP2: these Hardware Block Protect signals, when driven High or Low, define the size of the memory array to be hardware protected against all Write memory array instructions: These balls have a Pull down to Vss. If left disconnected they will be seen by device as “Low”.
HTBSEL	C7	Input	This signal when driven High or Low, is used in conjunction with the Hardware Block Protect Pins (HBP0, HBP1, and HBP2) determines if the write-protected memory area defined by the state of the HBP pins, starts from the top or the bottom of the memory array: This ball have a Pull down to Vss. If left disconnected it will be seen by device as “Low”.
V <sub>CC</sub>	A2, A4, D4, D6, D7, F7	Supply	Core power supply
V <sub>CCIO</sub>	A7, B2, B4, C6, F1, F6, G4	Supply	I/O power supply
V <sub>SS</sub>	A1, A3, B3, E5, E6, E7, G7, A8	Supply	Core ground supply.
V <sub>SSIO</sub>	B1, B5, B6, E1, G5, G6	Supply	I/O ground supply.

Signal		Type	Description
<b>DNU</b>	C1, C2, D5, E3, B8, C8, D8, E8, F8, G8	-	Do Not Use: DNUs must be left unconnected, floating.

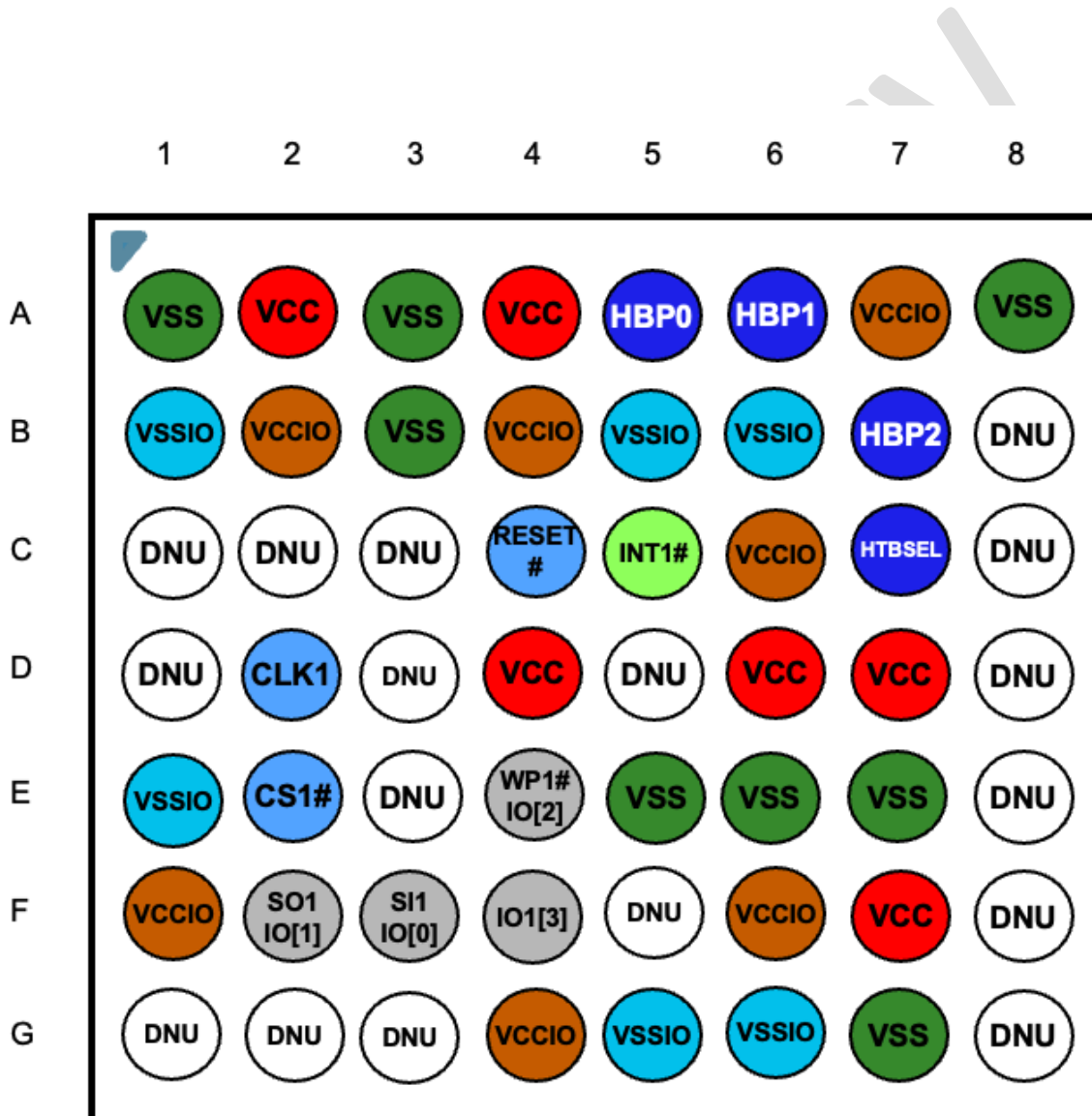
Preliminary



## Package Options

### QSPI, SPI (56-Ball FBGA – Balls Down, Top View)

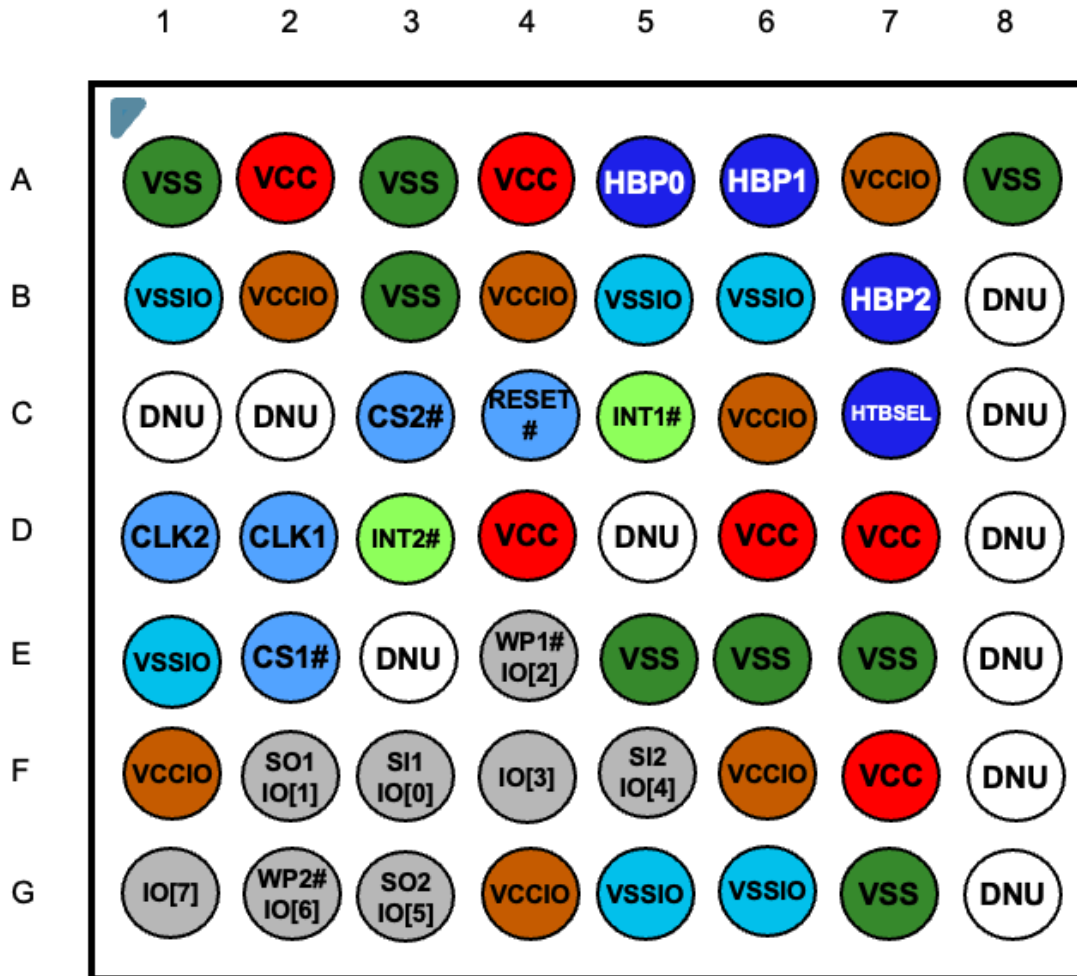
Figure 6: 56-Ball FBGA





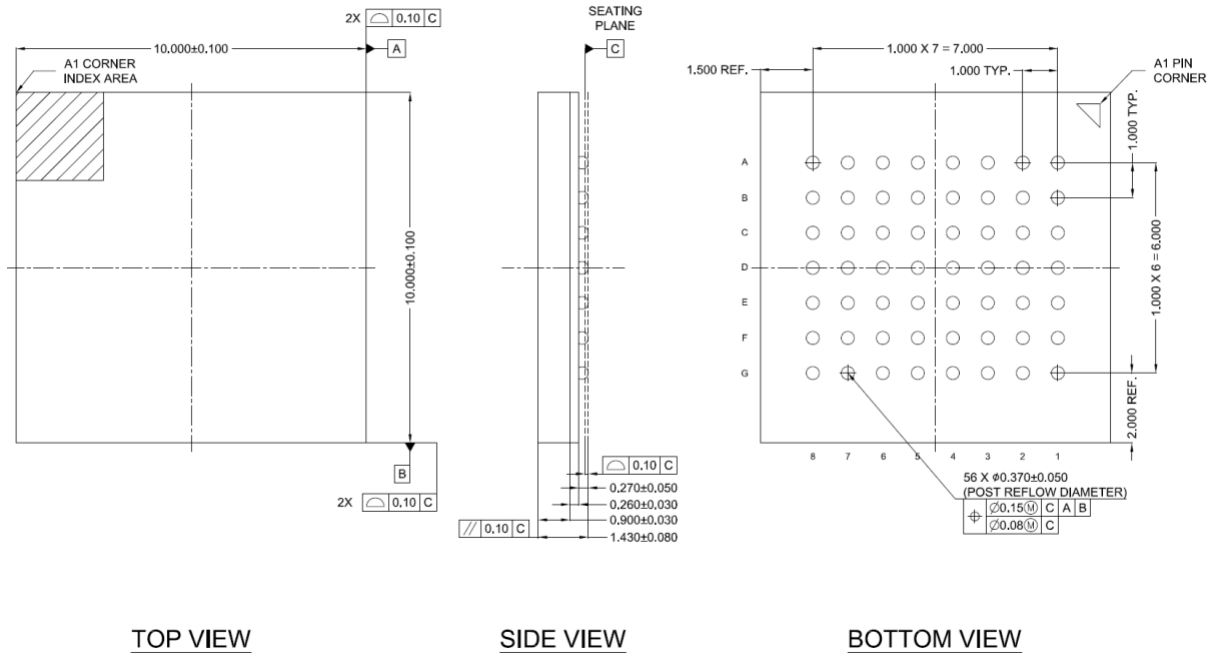
## D-QSPI, SPI (56-Ball FBGA – Balls Down, Top View)

Figure 7: 56-Ball FBGA



## Package Drawings

### 56-Ball FBGA



#### [NOTES]

1. SOLDER BALL SIZE IS
  - 0.35 mm before reflow
  - 0.37 (+/-0.05) mm post reflow
2. SOLDER RESIST OPENING IS
  - 0.300 mm

## Architecture

AS3xxx204/8 is a high performance serial STT-MRAM device. It features a SPI-compatible bus interface running in SDR or DDR nodes, eExecute-In-Place (XIP) functionality, and hardware/software-based data protection mechanisms.

When CS# is Low, the device is selected and in active power mode. When CS# is High, the device is deselected but can remain in active power mode until ongoing internal operations are completed. Then the device goes into standby power mode and device current consumption drops to  $I_{SB}$ .

AS3xxx204/8 contains an 8-bit instruction register. All functionality is controlled through the values loaded into this instruction register. In Single SPI mode, the device is accessed via the SI / IO[0] pin. In Dual and Quad SPI modes, IO[7:0] is used to access the device respectively. **Table 5** summarizes all the different interface modes supported and their respective I/O usage. **Table 6** shows the clock edge used for each instruction component.

**Nomenclature adoption:** A typical SPI instruction consists of command, address and data components. The bus width to transmit these three components varies based on the SPI interface mode selected. To accurately represent the number of I/Os used to transmit these three components, a nomenclature (command-address-data) is adopted and used throughout this document. Integers placed in the (command-address-data) fields represent the number of I/Os used to transmit the particular component. As an example, 1-1-1 means command, address and data are transmitted on a single I/O (SI / IO[0] or SO / IO[1]). On the other hand, 4-4-4 represents all command address and data are being sent on four I/Os (IO[3:0]).

**Table 5: Interface Modes of Operations**

Instruction Component	Single SPI (1-1-1)	Quad Input Output SPI (1-1-4)	Quad I/O SPI (1-4-4)	QPI (4-4-4)	Dual QPI (4-4-4) x 2
Command	SI / IO[0]	SI / IO[0]	SI / IO[0]	IO[3:0]	IO[3:0] IO[3:0]
Address	SI / IO[0]	SI / IO[0]	IO[3:0]	IO[3:0]	IO[3:0] IO[3:0]
Data Input	SI / IO[0]	IO[3:0]	IO[3:0]	IO[3:0]	IO[3:0] IO[7:4]
Data Output	SO / IO[1]	IO[3:0]	IO[3:0]	IO[3:0]	IO[3:0] IO[7:4]

**Table 6: Clock Edge Used for instructions**

Instruction Type	Command	Address	Data Input	Data Output
(1-1-1)	$\overline{f}_R$	$\overline{f}_R$	$\overline{f}_R$	$\overline{f}_L^1$
(1-1-4)	$\overline{f}_R$	$\overline{f}_R$	$\overline{f}_R$	$\overline{f}_L^1$
(1-4-4)	$\overline{f}_R$	$\overline{f}_R$	$\overline{f}_R$	$\overline{f}_L^1$
(4-4-4)	$\overline{f}_R$	$\overline{f}_R$	$\overline{f}_R$	$\overline{f}_L^1$

**Notes:**

R: Rising Clock Edge

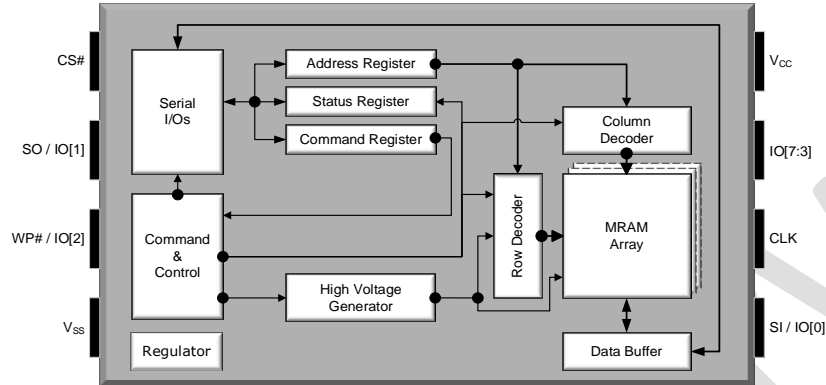
F: Falling Clock Edge

1: Data output from AS3xxx204/8 always begins on the falling edge of the clock

AS3xxx204/8 supports eExecute-In-Place (XIP) which allows completing a series of read and write instructions without having to individually load the read or write command for each instruction. Thus, XIP mode saves command overhead and reduces random read & write access time. A special XIP byte must be entered after the address bits to enable/disable (Axh/Fxh) XIP.

AS3xxx204/8 offers both hardware and software-based data protection schemes. Hardware protection is through WP# pin. Software protection is controlled by configuration bits in the Status register. Both schemes inhibit writing to the registers and memory array.

AS3xxx204/8 supports Deep Power Down. Data is not lost while the device is in this low power state. Moreover, the device maintains all its configurations.

**Figure 8: Functional Block Diagram**

**Table 7: Modes of Operation**

Mode	Current	CS#	CLK	SI / IO[7:0]	SO / IO[7:0]
<b>Standby</b>	$I_{SB}$	H	Gated	Gated / Hi-Z	Hi-Z / Hi-Z
<b>Active - Read</b>	$I_{READ}$	L	Toggle	Command, Address	Data Output
<b>Active - Write</b>	$I_{WRITE}$	L	Toggle	Command, Address, Data Input	Hi-Z
<b>Deep Power Down</b>	$I_{DPD}$	H	Gated	Gated / Hi-Z	Hi-Z / Hi-Z

**Notes:**

H: High (Logic '1')

L: Low (Logic '0')

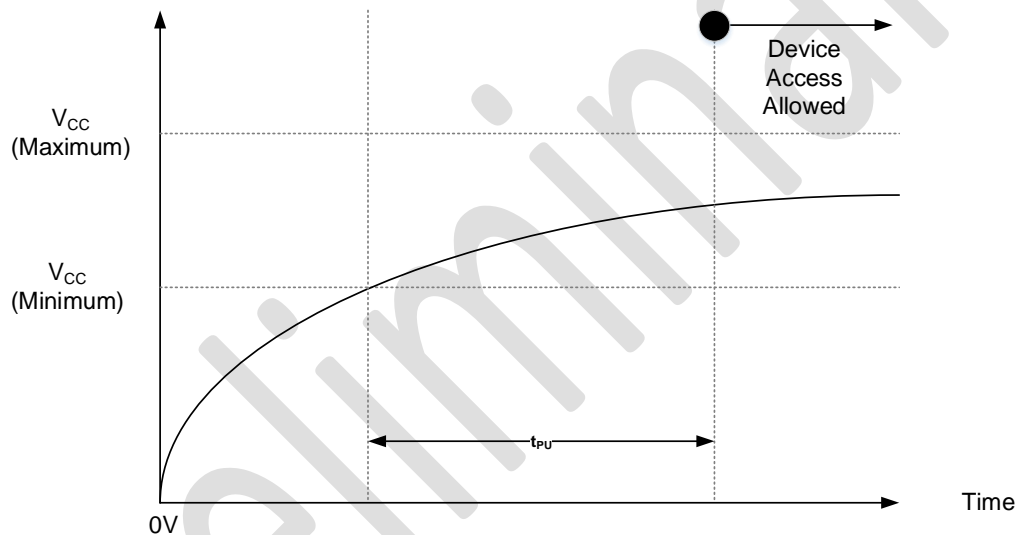
Hi-Z: High Impedance

## Device Initialization

When powering up, the following procedure is required to initialize the device correctly:

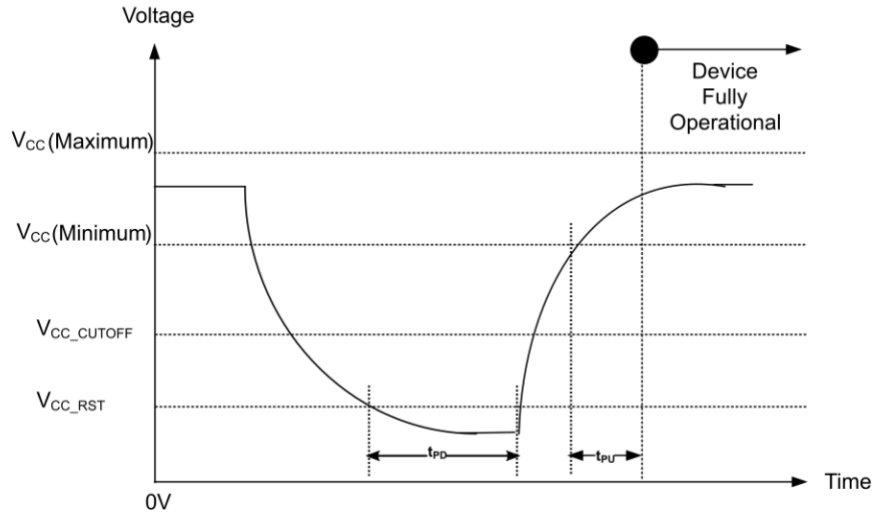
- $V_{CC}$  and  $V_{CCIO}$  can ramp up together ( $R_{VR}$ ), if not possible then  $V_{CC}$  first followed by  $V_{CCIO}$ . The maximum difference between the two voltages should not exceed 0.7V before reaching the final value of  $V_{CCIO}$ .
- The device must not be selected at power-up (a 10K $\Omega$  pull-up Resistor to  $V_{CCIO}$  on CS# is recommended). Then a further delay of  $t_{PU}$  (Figure 8) until  $V_{CC}$  reaches  $V_{CC}(\text{minimum})$ .
- During Power-up, recovering from power loss or brownout, a delay of  $t_{PU}$  is required before normal operation commences (Figure 8).

**Figure 9: Power-Up Behavior**



When powering down or in case of brown-out, the following procedure is required to turn off the device correctly:

- Ramp down  $V_{CC}$  below  $V_{CCRST}$  level
- CS# must follow  $V_{CC}$  during power-down (a 10K $\Omega$  pull-up Resistor to  $V_{CC}$  is recommended)
- The device must not be selected and that no instructions are sent to the device when  $V_{CC}$  is below  $V_{CC}(\text{minimum})$
- The Power-up timing and device initialization needs to be observed after  $V_{CC}$  ramps up above  $V_{CC}(\text{minimum})$
- To stabilize the  $V_{CC}$  level, suitable decoupling capacitors close to package  $V_{CC}$  pin is recommended
- Chip functionality not guaranteed if  $V_{CC}$  ramps down between  $V_{CC\_CUTOFF}$  and  $V_{CC\_RST}$  and then ramps up to  $V_{CC}$

**Figure 10: Power-Down and Brown-out Behavior**

**Table 8: Power Up/Down Timing – 3.0V**

Parameter	Symbol	Test Conditions	Minimum	Typical	Maximum	Units
<b>V<sub>CC</sub> Range</b>			2.5	-	3.0	V
<b>V<sub>CC</sub> Ramp Up Time</b>	R <sub>VR</sub>	All operating voltages and temperatures	30	-	-	μs/V
<b>V<sub>CC</sub> Ramp Down Time</b>	R <sub>VF</sub>		20	-	-	μs/V
<b>V<sub>CC</sub> Power Up to First Instruction</b>	t <sub>PU</sub>		25	-	-	ms
<b>V<sub>CC</sub> (low) time</b>	t <sub>PD</sub>		1			ms
<b>V<sub>CC</sub> Cutoff – Must Initialize Device</b>	V <sub>CC_CUTOFF</sub>		1.6	-	-	V
<b>V<sub>CC</sub> (Reset)</b>	V <sub>CC_RST</sub>		0		0.3	V

The following procedure is required to power down the device correctly:

- It is recommended to power down all supplies together. If not possible then the following sequence must be followed 1-V<sub>CC</sub>, 2-V<sub>CCIO</sub>.
- Timing for Ramp down rate should follow ramp down time (R<sub>VF</sub>).
- CS# cannot be active during power-down (a 10KΩ pull-up Resistor to V<sub>CC</sub> is recommended).
- It is recommended that no instructions are sent to the device when V<sub>CC</sub> is below V<sub>CC</sub> (minimum).
- During power loss or brownout, if V<sub>CC</sub> goes below V<sub>CC\_CUTOFF</sub>. All supply voltages V<sub>CC</sub> and V<sub>CCIO</sub> must be dropped below their respective (RESET) values V<sub>CC\_RST</sub> for a period of t<sub>PD</sub>. Figure-9 timing needs to be observed for the subsequence power-up.

## Memory Map

**Table 9: 32Mb-128Mb Memory Map**

Density	Address Range	24-bit Address [23:0]	
32Mb	000000h – 007FFFFFFh	[23:22] – Logic '0'	[21:0] - Addressable
64Mb	000000h – 0FFFFFFFh	[23] – Logic '0'	[22:0] - Addressable

**Table 10: Individual Section Address Range**

Section	Address Range	24-bit Address [23:0]	
0	000000h – 00001Fh	[23:8] – Logic '0'	[7:0] - Addressable
1	000020h – 00003Fh	[23:8] – Logic '0'	[7:0] - Addressable
2	000040h – 00005Fh	[23:8] – Logic '0'	[7:0] - Addressable
3	000060h – 00007Fh	[23:8] – Logic '0'	[7:0] - Addressable
4	000080h – 00009Fh	[23:8] – Logic '0'	[7:0] - Addressable
5	0000A0h – 0000BFh	[23:8] – Logic '0'	[7:0] - Addressable
6	0000C0h – 0000DFh	[23:8] – Logic '0'	[7:0] - Addressable
7	0000E0h – 0000FFh	[23:8] – Logic '0'	[7:0] - Addressable

## Register Addresses

**Table 11: Register Addresses**

Register Name	Address
Status Register	0x000000h
Interrupt Status Register	0x000001h
Configuration Register 1	0x000002h
Configuration Register 2	0x000003h
Interrupt Configuration Register	0x000004h
ECC Test – Data Input Register	0x000005h
ECC Test – Error Injection Register	0x000006h
ECC Test – Data Output Register	0x000007h
ECC Test – Error Count Register	0x000008h
Extended Address Register	0x000009h
Flag Status Register	0x00000Ah
Device Identification Register	0x000030h

**Notes:** 1: The Status and Configuration registers need to be re-initialized after a solder reflow process.



## Hardware Block Protection

The Hardware Block Protect signals (HBP0, HBP1, and HBP2), when driven High or Low, define the size of the memory array to be hardware protected against all Write memory array instructions. When one or more HBP signals are driven High, the relevant memory area, as defined in Table 14 and Table 15 below, becomes protected against all Write memory array instructions. When all three signals, HBP0, HBP1, and HBP2 are driven Low, the memory array is in normal operation without being write-protected.

The Hardware Top/Bottom Select signal (HTBSEL), when driven High or Low, is used in conjunction with the Hardware Block Protect signals (HBP0, HBP1, and HBP2) to determine if the write-protected memory area defined by the state of the HBP signals, starts from the top or the bottom of the memory array:

- When the HTBSEL signal is driven Low, the memory area, protected by the HBP signals, starts from the top of the memory array.
- When the HTBSEL signal is driven High, the memory area, protected by the HBP signals, starts from the bottom of the memory array.

These pins have an internal pull down to Vss. If the pins are left unconnected, the device will have no hardware protection and all regions of the device can be written to (unless the Software Block Protection is activated through the Status Register).

**Table 12: Hardware Top Block Protection Address Range Selection (HTBSEL Signal = L)**

HBP [2]	HBP [1]	HBP [0]	Protected Portion	32Mb	64Mb	128Mb
L	L	L	None	None	None	None
L	L	H	Upper 1/64	3F0000h – 3FFFFFFh	7E0000h – 7FFFFFFh	0FC000h – FFFFFFFh
L	H	L	Upper 1/32	3E0000h – 3FFFFFFh	7C0000h – 7FFFFFFh	0F1000h – FFFFFFFh
L	H	H	Upper 1/16	3C0000h – 3FFFFFFh	780000h – 7FFFFFFh	0F0000h – FFFFFFFh
H	L	L	Upper 1/8	380000h – 3FFFFFFh	700000h – 7FFFFFFh	0E0000h – FFFFFFFh
H	L	H	Upper 1/4	300000h – 3FFFFFFh	600000h – 7FFFFFFh	0C0000h – FFFFFFFh
H	H	L	Upper 1/2	200000h – 3FFFFFFh	400000h – 7FFFFFFh	080000h – FFFFFFFh
H	H	H	All	000000h – 3FFFFFFh	000000h – 7FFFFFFh	000000h – FFFFFFFh

**Table 13: Hardware Bottom Block Protection Address Range Selection (HTBSEL Signal = H)**

HBP [2]	HBP [1]	HBP [0]	Protected Portion	32Mb	64Mb	128Mb
L	L	L	None	None	None	None
L	L	H	Lower 1/64	000000h – 000FFFh	000000h – 01FFFFh	000000h – 03FFFFh
L	H	L	Lower 1/32	000000h – 001FFFh	000000h – 03FFFFh	000000h – 07FFFFh
L	H	H	Lower 1/16	000000h – 003FFFh	000000h – 07FFFFh	000000h – 0FFFFFFh
H	L	L	Lower 1/8	000000h – 007FFFh	000000h – FFFFFh	000000h – 1FFFFFFh
L	L	L	Lower 1/4	000000h – 00FFFFh	000000h – 1FFFFFFh	000000h – 3FFFFFFh
L	L	H	Lower 1/2	000000h – 01FFFFh	000000h – 3FFFFFFh	000000h – 7FFFFFFh
L	H	L	All	000000h – 3FFFFFFh	000000h – 7FFFFFFh	000000h – FFFFFFFh

**Notes:**

High (H): Logic '1'

Low (L): Logic '0'

## Register Map

### Status Register / Device Protection Register (Read/Write)

Status register is a legacy SPI register and contains options for enabling/disabling data protection.

**Table 14: Status Register – Read and Write**

Bits	Name	Description	Read / Write	Default State	Selection Options																											
SR[7]	WP#EN	Hardware Based WP# Protection Enable/Disable	R/W	0	1: Protection Enabled – write protects when WP# is Low 0: Protection Disabled – Doesn't write protect when WP# is Low																											
SR[6]	RSVD	Reserved	R/W	0	Reserved																											
SR[5]	TBSEL	Software Top/Bottom Memory Array Protection Selection	R/W	0	1: Bottom Protection Enabled (Lower Address Range) 0: Top Protection Enabled (Higher Address Range)																											
SR[4]	BPSEL[2]	Block Protect Selection Bit 2	R/W	0	Block Protection Bits Table 15,																											
SR[3]	BPSEL[1]	Block Protect Selection Bit 1	R/W	0																												
SR[2]	BPSEL[0]	Block Protect Selection Bit 0	R/W	0	<table border="1"> <thead> <tr> <th>BPSEL [0]</th> <th>Protected Portion</th> <th>32M</th> </tr> </thead> <tbody> <tr> <td>L</td> <td>None</td> <td>None</td> </tr> <tr> <td>H</td> <td>Upper 1/64</td> <td>3F0000 3FFFFF</td> </tr> <tr> <td>L</td> <td>Upper 1/32</td> <td>3E0000 3FFFFF</td> </tr> <tr> <td>H</td> <td>Upper 1/16</td> <td>3C0000 3FFFFF</td> </tr> <tr> <td>L</td> <td>Upper 1/8</td> <td>380000 3FFFFF</td> </tr> <tr> <td>H</td> <td>Upper 1/4</td> <td>300000 3FFFFF</td> </tr> <tr> <td>L</td> <td>Upper 1/2</td> <td>200000 3FFFFF</td> </tr> <tr> <td>H</td> <td>All</td> <td>000000 3FFFFF</td> </tr> </tbody> </table>	BPSEL [0]	Protected Portion	32M	L	None	None	H	Upper 1/64	3F0000 3FFFFF	L	Upper 1/32	3E0000 3FFFFF	H	Upper 1/16	3C0000 3FFFFF	L	Upper 1/8	380000 3FFFFF	H	Upper 1/4	300000 3FFFFF	L	Upper 1/2	200000 3FFFFF	H	All	000000 3FFFFF
					BPSEL [0]	Protected Portion	32M																									
					L	None	None																									
					H	Upper 1/64	3F0000 3FFFFF																									
					L	Upper 1/32	3E0000 3FFFFF																									
					H	Upper 1/16	3C0000 3FFFFF																									
					L	Upper 1/8	380000 3FFFFF																									
					H	Upper 1/4	300000 3FFFFF																									
L	Upper 1/2	200000 3FFFFF																														
H	All	000000 3FFFFF																														
					<b>Table 16)</b>																											
SR[1]	WREN	Write Operation Protection Enable/Disable	R	0	1: Write Operation Protection Disabled 0: Write Operation Protection Enabled																											
SR[0]	RSVD	Reserved	R/W	0	Reserved																											

**Table 15: Top Block Protection Address Range Selection (TBSEL=0)**

BPSEL [2]	BPSEL [1]	BPSEL [0]	Protected Portion	32Mb	64Mb	128Mb

L	L	L	None	None	None	None
L	L	H	Upper 1/64	3F0000h – 3FFFFFFh	7E0000h – 7FFFFFFh	0FC000h – FFFFFFFh
L	H	L	Upper 1/32	3E0000h – 3FFFFFFh	7C0000h – 7FFFFFFh	0F1000h – FFFFFFFh
L	H	H	Upper 1/16	3C0000h – 3FFFFFFh	780000h – 7FFFFFFh	0F0000h – FFFFFFFh
H	L	L	Upper 1/8	380000h – 3FFFFFFh	700000h – 7FFFFFFh	0E0000h – FFFFFFFh
H	L	H	Upper 1/4	300000h – 3FFFFFFh	600000h – 7FFFFFFh	0C0000h – FFFFFFFh
H	H	L	Upper 1/2	200000h – 3FFFFFFh	400000h – 7FFFFFFh	080000h – FFFFFFFh
H	H	H	All	000000h – 3FFFFFFh	000000h – 7FFFFFFh	000000h – FFFFFFFh

**Table 16: Bottom Block Protection Address Range Selection (TBPSEL=1)**

BPSEL [2]	BPSEL [1]	BPSEL [0]	Protected Portion	32Mb	64Mb	128Mb
L	L	L	None	None	None	None
L	L	H	Lower 1/64	000000h – 00FFFFh	000000h – 01FFFFh	000000h – 03FFFFh
L	H	L	Lower 1/32	000000h – 001FFFh	000000h – 03FFFFh	000000h – 07FFFFh
L	H	H	Lower 1/16	000000h – 003FFFh	000000h – 07FFFFh	000000h – 0FFFFFFh
H	L	L	Lower 1/8	000000h – 007FFFh	000000h – FFFFFh	000000h – 1FFFFFFh
L	L	L	Lower 1/4	000000h – 00FFFFh	000000h – 1FFFFFFh	000000h – 3FFFFFFh
L	L	H	Lower 1/2	000000h – 01FFFFh	000000h – 3FFFFFFh	000000h – 7FFFFFFh
L	H	L	All	000000h – 3FFFFFFh	000000h – 7FFFFFFh	000000h – FFFFFFFh

**Table 17: Write Protection Modes**

WREN (Status Register)	WP#EN (Status Register)	WP# (Pin)	Status & Configuration Registers	Memory <sup>1</sup> Array Protected Area	Memory <sup>1</sup> Array Unprotected Area
0	X	X	Protected	Protected	Protected
1	0	X	Unprotected	Protected	Unprotected
1	1	Low	Protected	Protected	Unprotected
1	1	High	Unprotected	Protected	Unprotected

**Notes:**

High: Logic '1'

Low: Logic '0'

X: Don't Care – Can be Logic '0' or '1'

Protected: Write protected

Unprotected: Writable

1: Memory address range protection based on Block Protection Bits

Preliminary

### Flag Status Register (Read Only)

Flag status register contains device's access status and addressing information.

**Table 18: Flag Status Register (Read Only)**

Bits	Name	Description	Read / Write	Default State	Selection Options
FSR1[7]	ST	Device Access Status	R	1	1: Ready 0: Busy
FSR1[6:1]	RSVD	Reserved	R	0	Reserved for future use
FSR1[0]	RSVD	Reserved	R	0	Reserved for future use

### Device Identification Register (Read Only)

Device identification register contains Avalanche's Manufacturing ID along with device configuration information.

**Table 19: Device Identification Register – Read Only**

Bits	Avalanche Manufacturer's ID	Device Configuration				
		Interface	Voltage	Temp	Density	Freq
ID[31:0]	ID[31:24]	ID[23:20]	ID[19:16]	ID[15:12]	ID[11:8]	ID[7:0]

Manufacturer ID	Interface	Voltage	Temperature	Density	Frequency
31-24	23-20	19-16	15-12	11-8	7-0
1110 0110	0010-HP Dual QSPI	0001 - 3V	0000 - -40°C- 85°C	0001 – 64Mb	00000001 – 108MHz
			0001 - -40°C-105°C	0010 – 128Mb	00000010 – 108MHz
			0010 - -40°C-125°C	0011 – Reserved	00000011 – Reserved
				0100 – Reserved	00000100 – Reserved
				1000 – Reserved	00000101 – Reserved
				1001 – Reserved	00000110 – Reserved
				1010 – Reserved	00000111 – Reserved
		1100 – Reserved	00001000 – Reserved		

## Configuration Register 1 (Read/Write)

Configuration Register 1 controls locking/unlocking data protection options set in the Status register. Once locked, the protection options cannot be changed in the Status register.

**Table 20: Configuration Register 1 – Read and Write**

Bits	Name	Description	Read / Write	Default	Selection Options
CR1[7]	ODSEL[2]	Output Driver Strength Selector	R/W	0	000: 35Ω
CR1[6]	ODSEL[1]			1	001: 75Ω
CR1[5]	ODSEL[0]			1	010: 60Ω 011: 45Ω 100: 35Ω 101: 40Ω 110: 20Ω 111: 15Ω
CR1[4]	RSVD	Reserved	R	0	Reserved for future use
CR1[3]	RSVD	Reserved	R	0	Reserved for future use
CR1[2]	MAPLK	Status Register Lock Enable/Disable (TBSEL, BPSEL[2:0])	R/W	0	1: Lock TBSEL and BPSEL[2:0] 0: Unlock TBSEL and BPSEL[2:0]
CR1[1]	WRENS[1]	WREN Reset Selector (Memory Array Write Functionality)	R/W	0	00: Normal: WREN is prerequisite to all Memory Array Write instruction. (WREN is reset after CS# goes High)
CR1[0]	WRENS[0]			0	01: SRAM: WREN is not a prerequisite to Memory Array Write instruction (WREN is ignored) 10: Back-to-Back: WREN is prerequisite to only the first Memory Array Write instruction. WREN disable instruction must be executed to reset WREN. (WREN does not reset once CS# goes High) 11: Illegal - Reserved for future use

**Notes:**

1: Write Enable protection (WREN – Status Register) for Registers is maintained irrespective of the Configuration Register 1 settings. In other words, all register write instructions require WREN to be set and WREN resets once CS# goes High for the write instruction.

## Configuration Register 2 (Read/Write)

Configuration Register 2 controls the interface type along with memory array access latency.

**Table 21: Configuration Register 2 (CR2) – Read and Write**

Bits	Name	Description	Read / Write	Default State	Selection Options
<b>CR2[7]</b>	RSVD	Reserved	R	0	Reserved for future use
<b>CR2[6]</b>	RSVD	Reserved	R	0	Reserved for future use
<b>CR2[5]</b>	RSVD	Reserved	R	0	Reserved for future use
<b>CR2[4]</b>	XIPWR	XIP Write	R/W	0	0: Enable XIP Write – Default 1: Disable XIP Write
<b>CR2[3]</b>	MLATS[3]	Memory Array Read/Read Any Register Latency Selection <sup>1</sup>	R/W	1	0000: 0 Cycles – Default 0001: 1 Cycle 0010: 2 Cycles 0011: 3 Cycles 0100: 4 Cycles 0101: 5 Cycles 0110: 6 Cycles 0111: 7 Cycles 1000: 8 Cycles 1001: 9 Cycle 1010: 10 Cycles 1011: 11 Cycles 1100: 12 Cycles 1101: 13 Cycles 1110: 14 Cycles 1111: 15 Cycles
<b>CR2[2]</b>	MLATS[2]			0	
<b>CR2[1]</b>	MLATS[1]			0	
<b>CR2[0]</b>	MLATS[0]			0	

**Notes:**

1: Latency is frequency dependent. Please consult Table 30, 31 and 32



**Table 22: Memory Array Read Latency Cycles vs. Maximum Clock Frequency (with XIP)**

Read Type	Latency	AS3xxx204/8-0108
(1-1-1) SDR	8-15	108MHz
(1-1-1) DDR	8-15	54MHz
(1-1-4) SDR	8-15	108MHz
(1-1-4) DDR	8-15	54MHz
(1-4-4) SDR	8-15	108MHz
(1-4-4) DDR	8-15	54MHz
(4-4-4) SDR	8-15	108MHz
(4-4-4) DDR	8-15	54MHz

**Table 23: Memory Read Latency Cycles vs. Maximum Clock Frequency (without XIP)**

Read Type	Latency	Max Frequency
		AS3xxx204/8-0108
(1-1-1)	0	50MHz

**Table 24: Read Any Register Command Latency Cycles vs. Maximum Clock Frequency**

Read Type	Latency Cycles	Max Frequency
(1-1-1) SDR	8-15	108MHz
(1-1-4) SDR	8-15	108MHz
(1-4-4) SDR	8-15	108MHz
(4-4-4) SDR	8-15	108MHz

## Interrupt Configuration Register (Read/Write)

The Interrupt Configuration Register controls different events that trigger INT# pin transitioning from High to Low state. INT# pin can be configured in the INT# configuration register to transition to the active Low state when either ECC error is detected and corrected or transitioning from the busy to the ready state.

This register also enables access to 1 of 4 die sitting on the internal bus. The ECC engine can be tested by enabling the Test Enable bit and selecting 1 of 4 die.

**Table 25: Interrupt Configuration Register – Read and Write**

Bits	Name	Description	Read / Write	Default State	Selection Options
<b>INTCR[7]</b>	INTRF	Shows status of ECC error detection	R	0	Selection Options: 1: Unrecoverable ECC error detected 0: No unrecoverable ECC error detected
<b>INTCR[6]</b>	INTR	Clear Interrupt Status	W	0	Selection Options: 1 = Resets Interrupt caused by unrecoverable ECC 0 = No Action
<b>INTCR[5]</b>	ECC_CR	Reset the ECC Error Count Register	W	0	Selection Options: 1 = Resets ECC count register to 0 0 = No Action
<b>INTCR[4]</b>	----	Reserved	-	-	-
<b>INTCR[3:2]</b>	ECCDS	Die Selection	W	0	Die Select Options: 11 = Die 4 selected 10 = Die 3 selected 01 = Die 2 selected 00 = Die 1 selected
<b>INTCR[1]</b>	ECCTE	ECC Test Enable	W	0	ECC Test Engine Test mode: 1 = Enable 0 = Disable
<b>INTCR[0]</b>	ECCEDS	ECC Error Detection Selection	W	0	Selection Options: 1 = ECC detection will transition a High to Low state on the INT# pin 0 = ECC detection will not transition the INT# pin

### Error Correction Code (ECC) Test – Data Input Register

The contents of this register are entered into the ECC engine data buffer i.e. used as data input to test the ECC engine.

**Table 26: ECC Test Data Input Register – Read and Write**

Bits	Name	Description	Read / Write	Default State	Select Options
[31:0]	ECC_Data_In	Data Input	R/W	00000000	Any value from 00000000 to FFFFFFFF

### Error Correction Code (ECC) Test – Error Injection

The contents of this register are used as an error mask to inject error to test the ECC engine.

**Table 27: ECC Test Error Injection Register – Read and Write**

Bits	Name	Description	Read / Write	Default State	Select Options
[31:0]	ECC_Error_Injection	Error Mask	R/W	00000000	1 in any position injects an error into ECC engine. For example, 00000003 will inject a two-bit error in two LSB bits i.e. the Data in the ECC engine buffer is Exclusive or'd with the error mask.

### Error Correction Code (ECC) Test – Data Output Register

The contents of this register are the output of the ECC engine when testing the ECC engine.

**Table 28: ECC Test Data Output Register – Read Only**

Bits	Name	Description	Read / Write	Default State	Select Options
[31:0]	ECC_Data_Out	Output of ECC engine	R	00000000	None – read only.

### Error Correction Code (ECC) – Error Count Register

This register must only be used during TEST MODE for testing the ECC engine. The Error Count Register is incremented when uncorrectable ECC errors are induced during the test mode. During normal operation of the device, the content of this register is not reflective of corrected or uncorrected errors. An interrupt is generated on device pin INT# and the interrupt flag is set when an unrecoverable error is detected in test mode.

**Table 29: ECC Count Register – Read Only**

Bits	Name	Description	Read / Write	Default State	Select Options
[31:0]	Error_Count	Number of induced uncorrectable Errors detected during TEST mode	R	32'b0	None – read only

Preliminary

## Instruction Set

**Table 30: Instruction Set**

#	Instruction Name	Command (Opcode)	(1-0-0)	(1-0-1)	(1-1-1)	(1-1-4)	(1-4-4)	(4-0-0)	(4-0-4)	(4-4-4)	XIP	SDR	DDR	Latency Cycles	Data Bytes	Max. Frequency	Prerequisite	Note
1	No Operation	NOOP 00h	•					•			•			•		108 MHz		
2	Write Enable	WREN 06h	•					•			•			•		108 MHz		
3	Write Disable	WRDI 04h	•					•			•			•		108 MHz		
4	Enable QPI	QPIE 38h	•								•			•		108 MHz		
5	Enable SPI	SPIE FFh	•					•			•			•		108 MHz		
6	Read Status Register	RDSR 05h		•							•				1	50 MHz		
7	Read Flag Status Register	RDFSR 70h		•					•		•				1	50 MHz		
8	Read Device ID	RDID 9Fh		•							•				4	50 MHz		
9	Read Any Register - Address Based	RDAR 65h			•				•		•		•		1 to 8	108 MHz		
10	Write Status Register	WRSR 01h		•							•				1	108 MHz	WREN	
11	Write Any Register - Address Based	WRAR 71h			•				•		•				1 to 8	108 MHz	WREN	
12	Read Memory Array - SDR	READ 03h			•							•			1 to ∞	50 MHz		1,2

## 64Mbit – 128Mbit Dual QSPI MRAM Memory

#	Instruction Name	Command (Opcode)	(1-0-0)	(1-0-1)	(1-1-1)	(1-1-4)	(1-4-4)	(4-0-0)	(4-0-4)	(4-4-4)	XIP	SDR	DDR	Latency Cycles	Data Bytes	Max. Frequency	Prerequisite	Note
13	Read Memory Array - SDR	READ 13h			•						•				1 to ∞	50 MHz		1,2,5
14	Fast Read Memory Array - SDR	RDFT 0Bh			•				•		•	•			1 to ∞	108 MHz		1,2,3,5
15	Fast Read Memory Array - SDR	READ 0Ch			•				•		•	•			1 to ∞	108 MHz		1,2,3,5
16	Fast Read Memory Array - DDR	RDFT 0Dh			•				•	•		•	•		1 to ∞	54 MHz		1,2,3
17	Read Quad Output Memory Array - SDR	RDQO 6Bh				•					•		•		1 to ∞	108 MHz		1,2,3,5
18	Read Quad Output Memory Array - SDR	RDQO 6Ch				•					•		•		1 to ∞	108 MHz		1,2,3,5
19	Read Quad I/O Memory Read	RDQI EBh					•			•	•		•		1 to ∞	108 MHz		1,2,3
20	Read Quad I/O Memory Read - DDR	DRQI EDh					•			•		•	•		1 to ∞	54 MHz		1,2,3
21	Write Memory Array - SDR	WRTE 02h			•				•		•				1 to ∞	108 MHz	WREN	1,4
22	Fast Write Memory Array - SDR	WRFT DAh			•				•	•	•				1 to ∞	108 MHz	WREN	1,2,4
23	Fast Write Memory Array - DDR	4DRFW DEh			•				•	•		•			1 to ∞	54 MHz	WREN	1,2,4
24	Write Quad I/O Memory Array - SDR	WQIO D2h					•			•	•				1 to ∞	108 MHz	WREN	1,2,4
25	Write Quad I/O Memory Array - DDR	4DWQO D1h					•			•			•		1 to ∞	54 MHz		1,2,4

**Notes:**

- 1: A typical SPI instruction consists of command, address and data components. The bus width to transmit these three components varies based on the SPI interface mode selected. To accurately represent the number of I/Os used to transmit these three components, a nomenclature (command-address-data) is adopted and used throughout this document. Integers placed in the (command-address-data) fields represent the number of I/Os used to transmit the particular component. As an example, 1-1-1 means command, address and data are transmitted on a single I/O Dual-Quad SPI device 1 (SI / IO[0] or SO / IO[1]) and Dual-Quad SPI device 2 (SI / IO[04 or SO / IO[7]). On the other hand, 1-4-4 represents command being sent on a single I/O Dual-Quad SPI device 1 (SI / IO[0]) and Dual-Quad SPI device 2 (SI / IO[4]) - address/data being sent on four I/Os of Dual-Quad SPI device 1 (IO[3:0]) and Dual-Quad SPI device 2 (IO[7:4])
- 2: XIP allows completing a series of read and write instructions without having to individually load the read or write command for each instruction. A special mode byte must be entered after the address bits to enable/disable XIP – Axh / Fxh.
- 3: Fast Read instruction must include Latency cycles to meet higher frequency. They are configurable (Configuration Register 2 – CR2[3:0]) and frequency dependent.
- 4: WREN prerequisite for array writing is configurable (Configuration Register 1 – CR1[1:0])
5. Support legacy device boot on Xilinx platforms

## Instruction Description and Structures

All communication between a host and AS3xxxx204/8 is in the form of instructions. Instructions define the operation that must be executed. Instructions consist of a command followed by an optional address modifier and data transfer to or from AS3XXXX204/8. All command, address and data information are transferred sequentially. Instructions are structured as follows:

- Each instruction begins with CS# going Low (logic '0') and ends with CS# returning High (Logic '1').
- CLK marks the transfer of each bit.
- Each instruction starts out with an 8-bit command. The command selects the type of operation AS3xxxx208 must perform. The command is transferred on the rising edges of CLK.
- The command can be stand alone or followed by address to select a memory location or register. The address is 24-bit wide and is transferred on the rising edges of CLK.
- The address bits are followed by data bits. For Write instructions, write data bits to AS3xxxx208 are transferred on the rising edges of CLK.
- In normal operational mode, Write instructions must be preceded by the WREN instruction. WREN instruction sets the WREN bit in the Status register. WREN bit is reset at the end of every Write instruction. WREN bit can also be reset by executing the WRDI instruction. AS3xxxx204/8 offers two other modes, namely SRAM and Back-to-Back Write where WREN does not get reset after a write instruction to the memory array. These modes are set in Configuration Register 4. For XIP supported Write instructions, XIP can be enabled or disabled through Configuration Register 2, bit 4 (CR2[4]).
- Similar to write instructions, the address bits are followed by data bits for read instructions:
  - Read data bits from AS3xxxx204/8 are transferred on the falling edges of CLK.
- AS3xxxx204/8 is a high-performance serial memory and at higher frequencies, read instructions require latency cycles to compensate for the memory array access time. The number of latency cycles required depends on the operational frequency and is configurable – Configuration Register 2. The latency cycles are inserted after the address bits before the data comes out of AS3xxxx204/8.
- For Read and Write instructions, AS3xxxx204/8 offers XIP mode. XIP allows similar instructions to be executed sequentially without incurring the command cycles overhead.

For XIP supported Read instructions, XIP is enabled by entering byte Axh and disabled by entering byte Fxh. These respective bytes must be entered following the address bits.

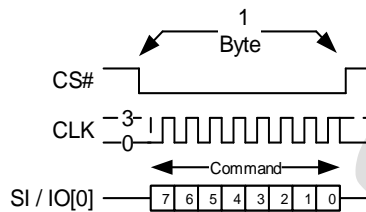
- For XIP supported Write instructions, XIP can be enabled or disabled through Configuration Register 2, bit 4 (CR2[4]).
- For Read instructions, AS3xxxx204/8 offers wrap mode. Wrap bursts are confined to address aligned 16/32/64/128/256-byte boundary. The read address can start anywhere within the wrap boundary. 16/32/64/128/256 wrap configuration is set in Configuration Register 3.



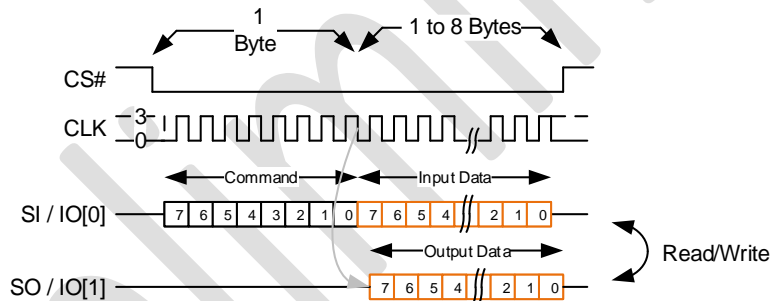
- The entire memory array can be read from or written to using a single read or write instruction. After the starting address is entered, subsequent addresses are internally incremented as long as CS# is Low and CLK continues to cycle.
- All commands, address and data are shifted with the most significant bit first.

Figure 11 to Figure 20 show the description of SDR instruction types supported.

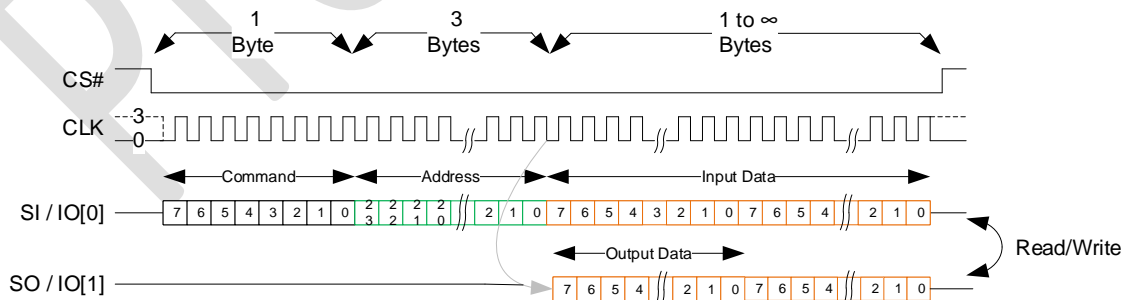
**Figure 11: Description of (1-0-0) Instruction Type**

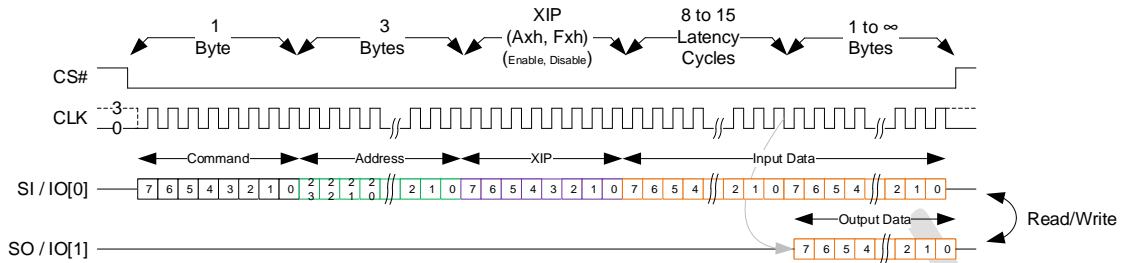
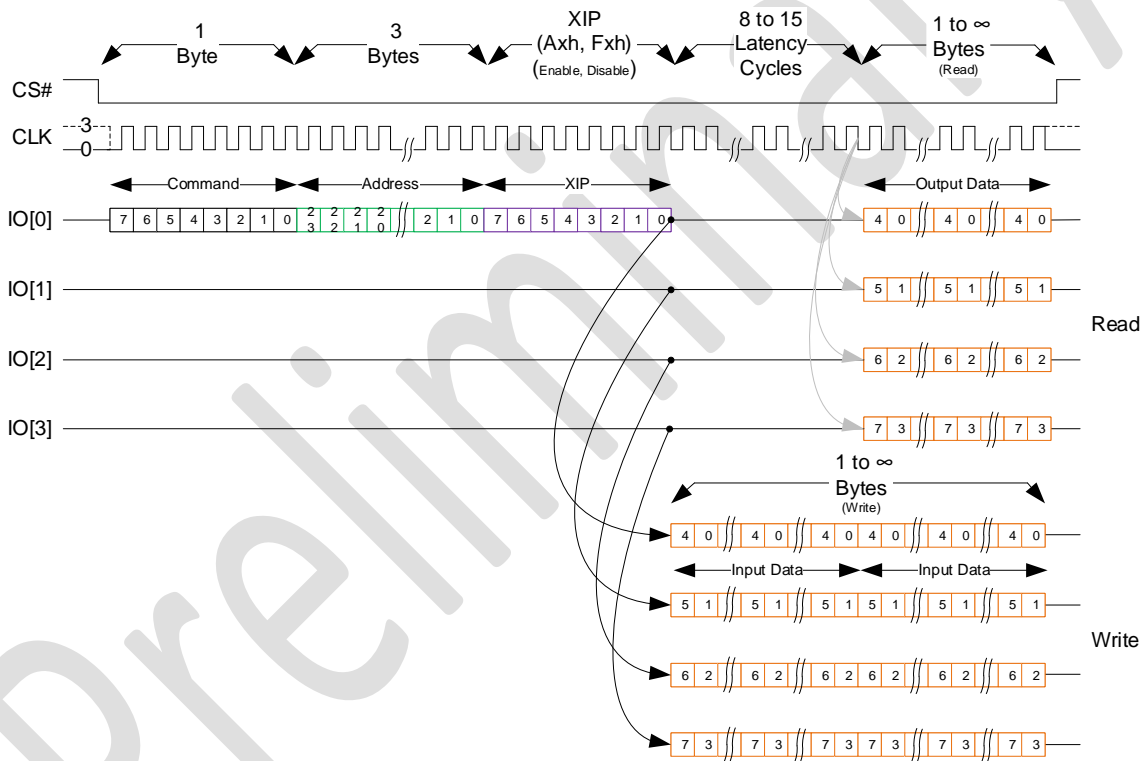


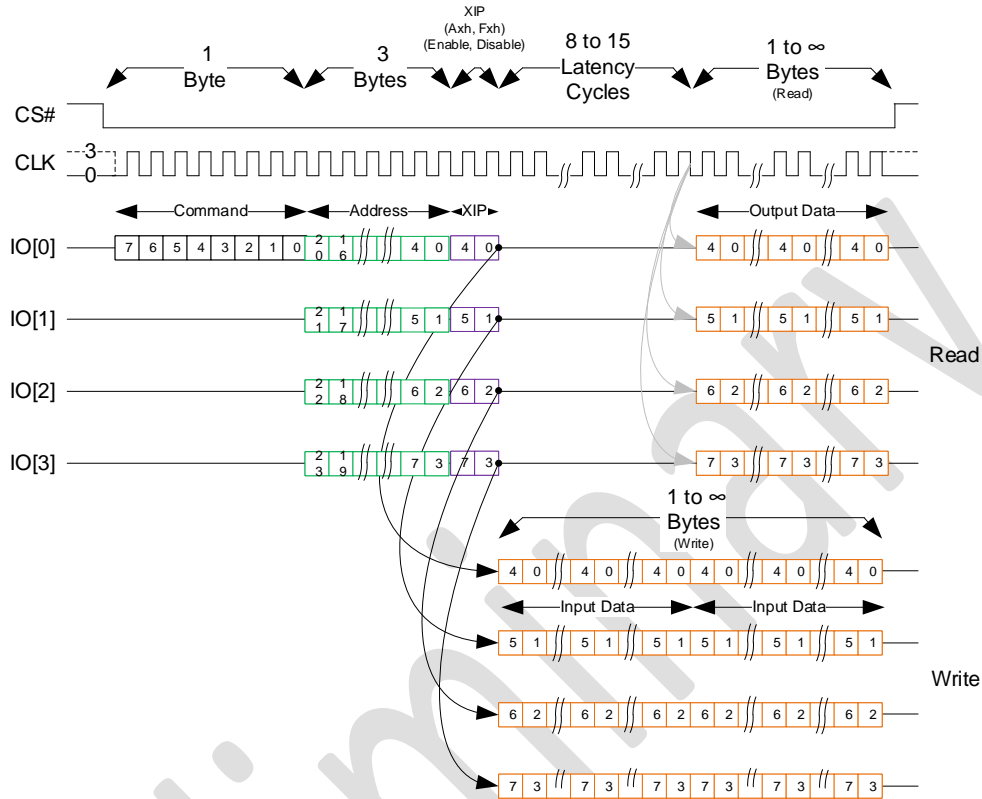
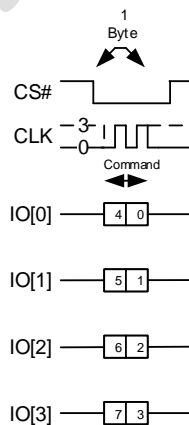
**Figure 12: Description of (1-0-1) Instruction Type**

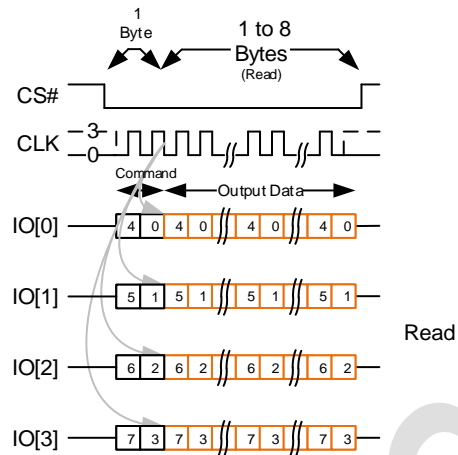


**Figure 13: Description of (1-1-1) Read Instruction Type (Without XIP)**

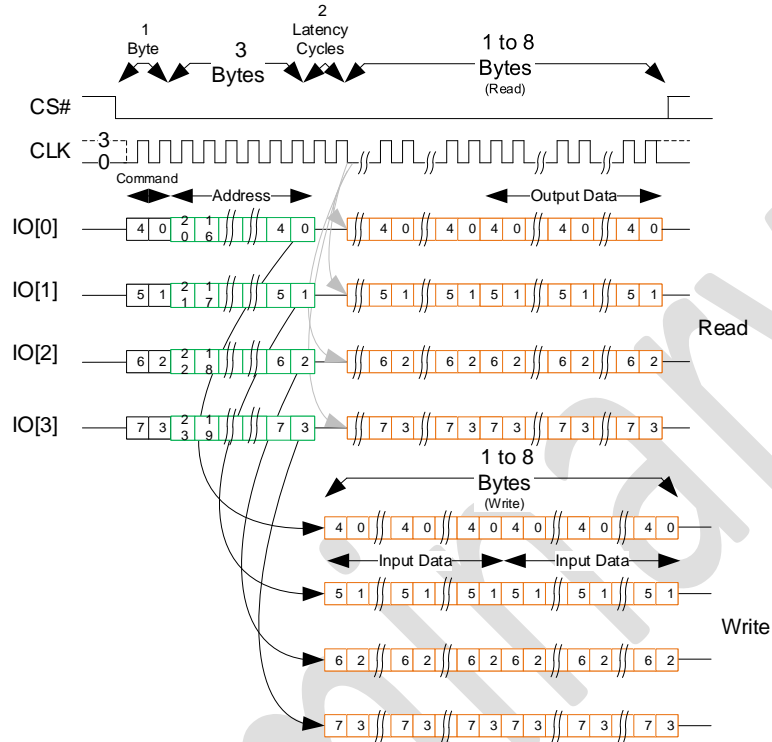


**Figure 14: Description of (1-1-1) Read Instruction Type (With XIP)**

**Figure 15: Description of (1-1-4) Read Instruction Type (With XIP)**


**Figure 16: Description of (1-4-4) Read Instruction Type (With XIP)**

**Figure 17: Description of (4-0-0) Instruction Type**


**Figure 18: Description of (4-0-4) Instruction Type**


**Figure 19: Description of (4-4-4) Any Register Instruction Type (Without XIP)**



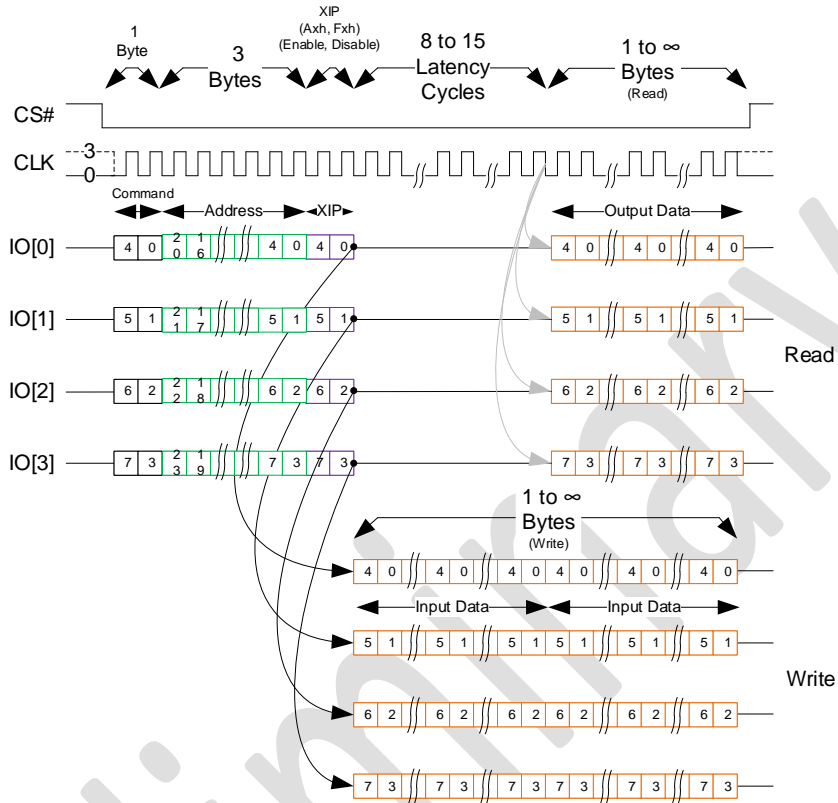
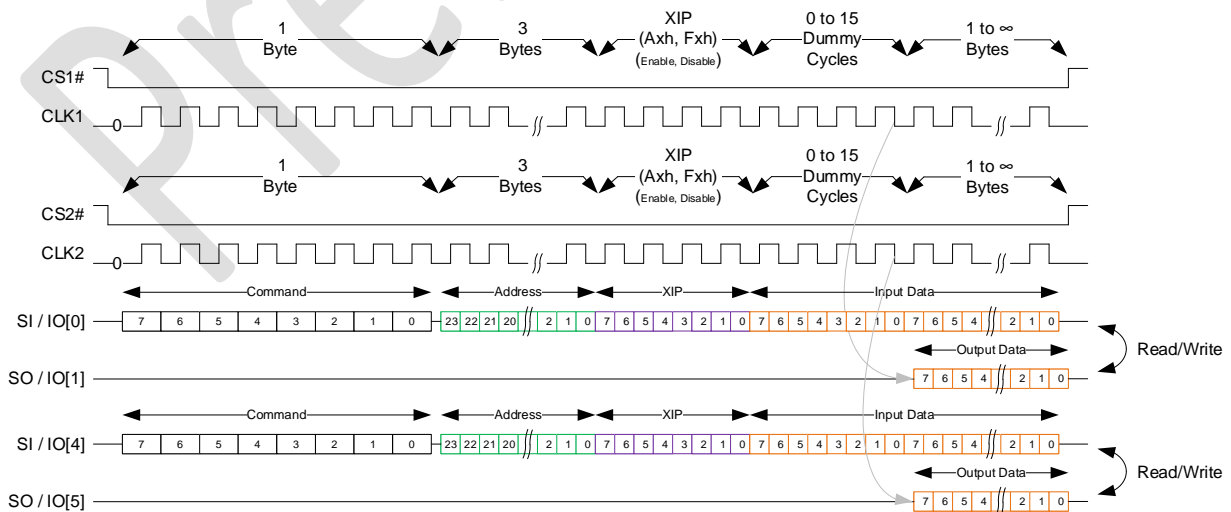
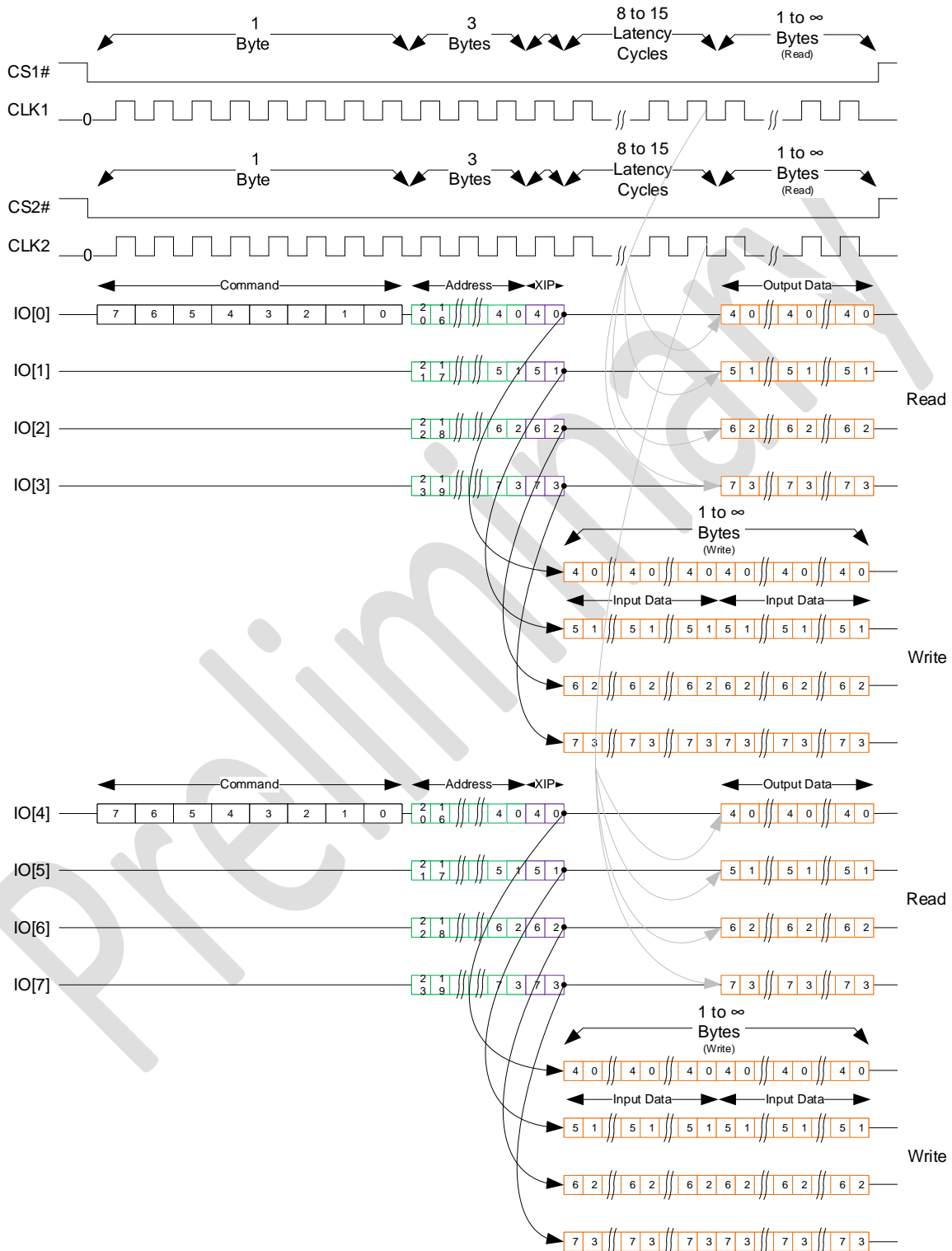
**Figure 20: Description of (4-4-4) Instruction Type (With XIP)**


Figure 21 to Figure 22 show the description of DDR instruction types supported.

**Figure 21: Description of (1-1-1) DDR Instruction Type (With XIP)**


**Figure 22: Description of (1-4-4) DDR Instruction Type (With XIP)**


## Electrical Specifications

**Table 31: Recommended Operating Conditions**

Parameter / Condition	Minimum	Typical	Maximum	Units
Operating Temperature (T <sub>A</sub> )	-40.0	-	125.0	°C
Operating Temperature (T <sub>A</sub> ) Under Radiation	-40.0	-	85.0	°C
V <sub>CC</sub> Supply Voltage	2.5	2.7	3.0	V
V <sub>CCIO</sub> Supply Voltage	1.71	1.8 - 3.0	3.0	V
V <sub>SS</sub> Supply Voltage	0.0	0.0	0.0	V
V <sub>SSIO</sub> Supply Voltage	0.0	0.0	0.0	V

**Table 32: Pin Capacitance**

Parameter	Test Conditions	Symbol	Maximum	Units
Input Pin Capacitance	TEMP = 25°C; f = 1 MHz; V <sub>IN</sub> = 3.0V	C <sub>IN</sub>	5.0	pF
Output Pin Capacitance	TEMP = 25°C; f = 1 MHz; V <sub>IN</sub> = 3.0V	C <sub>INOUT</sub>	6.0	pF

**Table 33: Endurance & Data Retention**

Parameter	Symbol	Test Conditions	Minimum	Units
Write Endurance	END	-	10 <sup>16</sup>	cycles
Data Retention	RET	85°C	20	years



**Table 34: 3.0V DC Characteristics**

Parameter	Symbol	Test Conditions	Density	3.0V Device (2.5V-3.0V)				
				Min	Typical <sup>1</sup>	85°C <sup>2</sup>	Max <sup>3</sup>	Units
Active Read Current	I <sub>READ</sub>	V <sub>CC</sub> = 3.0V, CLK=108MHz	64Mb		5	10	15	mA
			128Mb		10	20	30	mA
Active Write Current	I <sub>WRITE</sub>	V <sub>CC</sub> = 3.0V, CLK=108MHz	64Mb		5	10	15	mA
			128Mb		10	20	30	mA
Standby Current	I <sub>SB</sub>	V <sub>CC</sub> = 3.0V, CLK=V <sub>CCIO</sub> , CS#=V <sub>CCIO</sub> , SI=WP#=V <sub>CCIO</sub>	64Mb		5	10	15	mA
			128Mb		8	16	25	mA
Input Leakage Current	I <sub>LI</sub>	V <sub>IN</sub> =0 to V <sub>CCIO</sub> (max)		-	-		±1.0	µA
Output Leakage Current	I <sub>LO</sub>	V <sub>OUT</sub> =0 to V <sub>CCIO</sub> (max)		-	-		±1.0	µA
Input High Voltage (V <sub>CCIO</sub> =1.71-2.2)	V <sub>IH</sub>			0.65* V <sub>CCIO</sub>	-		V <sub>CCIO</sub> +0.2	V
Input High Voltage (V <sub>CCIO</sub> =2.2-2.7)			1.8					
Input High Voltage (V <sub>CCIO</sub> =2.5-3.0)			2.2					
Input Low Voltage (V <sub>CCIO</sub> =1.71-2.2)	V <sub>IL</sub>				-		0.35* V <sub>CCIO</sub>	V
Input Low Voltage (V <sub>CCIO</sub> =2.2-2.7)			-0.2			0.7		
Input Low Voltage (V <sub>CCIO</sub> =2.5-3.0)							0.8	
Output Low Voltage (V <sub>CCIO</sub> =1.71-2.2)	V <sub>OL</sub>	I <sub>OL</sub> = 0.1mA					0.2	V
Output Low Voltage (V <sub>CCIO</sub> =2.2-2.7)		I <sub>OL</sub> = 0.1mA		-			0.4	
Output Low Voltage (V <sub>CCIO</sub> =2.5-3.0)		I <sub>OL</sub> = 2.0mA					0.4	
Output High Voltage (V <sub>CCIO</sub> =1.71-2.2)	V <sub>OH</sub>	I <sub>OH</sub> = -0.1mA		1.4			-	V
Output High Voltage (V <sub>CCIO</sub> =2.2-2.7)		I <sub>OH</sub> = -0.1mA		2.0				
Output High Voltage (V <sub>CCIO</sub> =2.5-3.0)		I <sub>OH</sub> = -1.0mA		2.4				

**Notes:**
<sup>1</sup> Typical values are measured at 25°C

<sup>2</sup> 85°C values are guaranteed by characterization; not tested in production

<sup>3</sup> Max values are measured at 125°C

### Absolute Maximum Ratings

Stresses greater than those listed may cause permanent damage to the device. This is a stress rating only. Exposure to maximum rating for extended periods may adversely affect reliability.

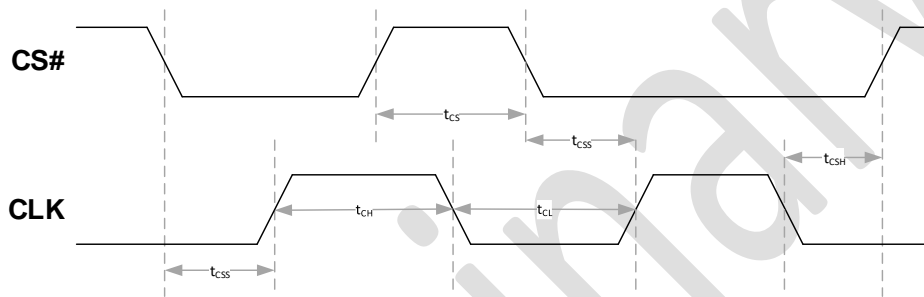
**Table 35: Absolute Maximum Ratings**

Parameter	Minimum	Maximum	Units
Magnetic Field During Write	---	24000	A/m
Magnetic Field During Read	---	24000	A/m
Junction Temperature	---	125	°C
Storage Temperature	-55 to 150		°C
Supply Voltage Vcc	-0.5	4.0	V
Supply Voltage Vccio	-0.5	3.8	V
Voltage on any pin	-0.5	Vccio + 0.2	V
ESD HBM (Human Body Model) ANSI/ESDA/JEDEC JS-001-2017	≥  2000 V		V
ESD CDM (Charged Device Model) ANSI/ESDA/JEDEC JS-002-2018	≥  500 V		V
Latch-Up (I-test) JESD78	≥  100 mA		mA
Latch-Up (Vsupply over-voltage test) JESD78	Passed		---

**Table 36: AC Test Conditions**

Parameter	Value
Input pulse levels	0.0V to $V_{CC}$
Input rise and fall times	3.0ns
Input and output measurement timing levels	$V_{CC}/2$
Output Load	CL = 30.0pF

## CS# Operation & Timing

**Figure 23: CS# Operation & Timing**

**Table 37: CS# Operation**

Parameter	Symbol	Minimum	Maximum	Units
<b>Clock Frequency</b>	$f_{CLK}$	1	133	MHz
<b>Clock Low Time</b>	$t_{CL}$	$0.45 * 1 / f_{CLK}$	-	ns
<b>Clock High Time</b>	$t_{CH}$	$0.45 * 1 / f_{CLK}$	-	ns
<b>Chip Deselect Time after Read Cycle</b>	$t_{CS1}$	20	-	ns
<b>Chip Deselect Time after Register Write Cycle</b>	$t_{CS2}$	5	-	$\mu s$
<b>Chip Deselect Time after Write Cycle (SPI)</b>	$t_{CS3}$	280	-	ns
<b>Chip Deselect Time after Write Cycle (QPI)</b>	$t_{CS5}$	490 <sup>1</sup>	-	ns
<b>CS# Setup Time (w.r.t CLK)</b>	$t_{CSS}$	5	-	ns
<b>CS# Hold Time (w.r.t CLK)</b>	$t_{CSH}$	4	-	ns

**Notes:**

Power supplies must be stable

<sup>1</sup> For single byte operations,  $t_{CS5}$  is 280ns

## Command, Address, XIP and Data Input Operation & Timing

Figure 24: Command, Address and Data Input Operation & Timing

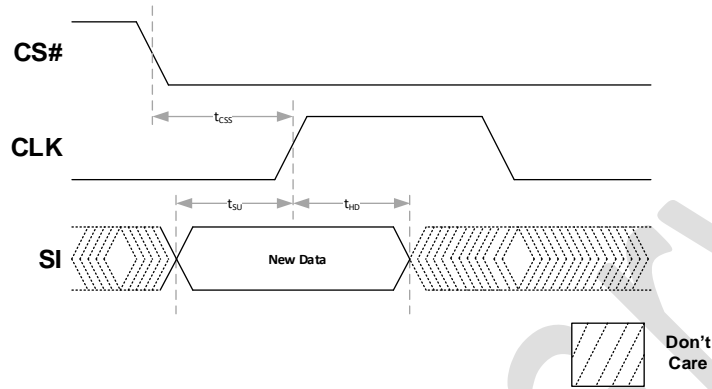


Table 38: Command, Address, XIP, and Data Input Operation & Timing

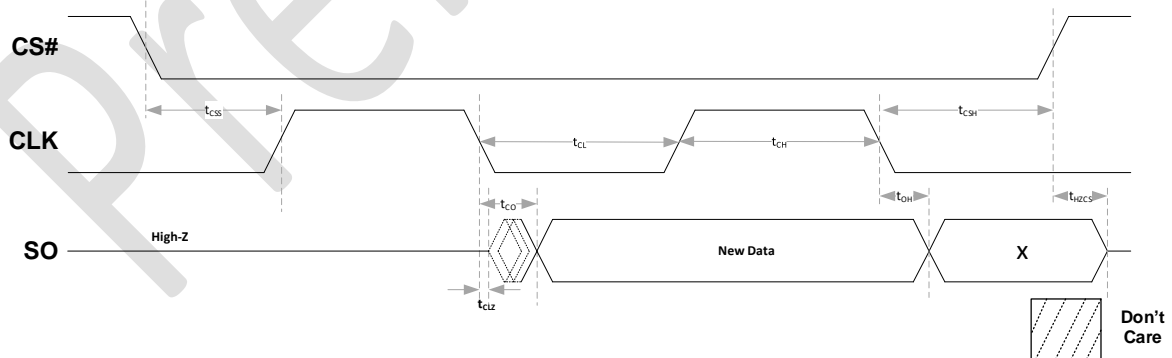
Parameter	Symbol	Minimum	Maximum	Units
Data Setup Time (w.r.t CLK)	$t_{SU}$	2.0	-	ns
Data Hold Time (w.r.t CLK)	$t_{HD}$	3.0	-	ns

**Notes:**

Power supplies must be stable

## Data Output Operation & Timing

Figure 25: Data Output Operation & Timing

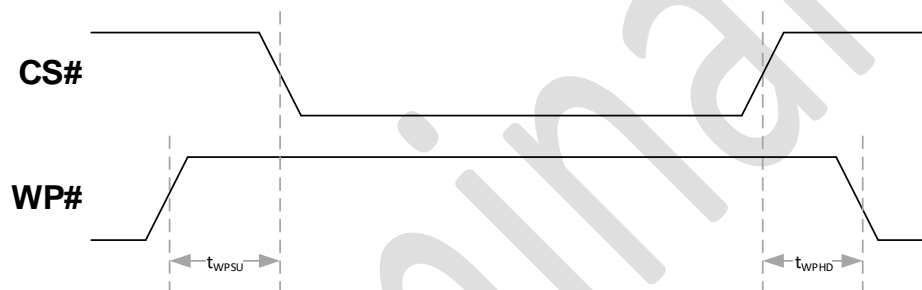


**Table 39: Data Output Operation & Timing**

Parameter	Symbol	Minimum	Maximum	Units
CLK Low to Output Low Z (Active)	$t_{CLZ}$	0	-	ns
Output Valid (w.r.t CLK)	$t_{CO}$	-	7.0	ns
Output Hold Time (w.r.t CLK)	$t_{OH}$	1.0	-	ns
Output Disable Time (w.r.t CS#)	$t_{HZCS}$	-	7.0	ns

**Notes:**

Power supplies must be stable

**WP# Operation & Timing**
**Figure 26: WP# Operation & Timing**

**Table 40: WP# Operation & Timing**

Parameter	Symbol	Minimum	Maximum	Units
WP# Setup Time (w.r.t CS#)	$t_{WPSU}$	20	-	ns
WP# Hold Time (w.r.t CS#)	$t_{WPHD}$	20	-	ns

**Notes:**

Power supplies must be stable

## Thermal Resistance

**Table 41: Thermal Resistance**

Parameter	Description	Test Conditions	56 Ball FBGA		Unit
			64Mb	128Mb	
$\theta_{JA}$	Thermal resistance (junction to ambient)	Test conditions follow standard test methods and procedures for measuring thermal impedance, per EIA/JESD51	17.89	TBD	°C/W
$\theta_{JC}$	Thermal resistance (junction to case)		2.10	TBD	

**Notes:**

- 1: These parameters are guaranteed by characterization; not tested in production.
- 2: Ambient temperature,  $T_A$  25 °C
- 3: Worst case Junction temp specified for Top die ( $\theta_{JA}$ ) and Bottom die ( $\theta_{JC}$ )

## Product Use Limitations

Avalanche reserves the right to make changes to the information in this document, and related hardware, software and system (collectively referred to as “**Products**”) without notice. This document supersedes and replaces any and all prior or contemporaneous information or arrangement of any kind relating to the subject matter hereof. This document and any information set forth herein may not be reproduced without the prior written permission from Avalanche.

**Critical Applications.** Products are not authorized for use in applications in which failure of the Avalanche component could result, directly or indirectly in death, personal injury, or severe property or environmental damage (“**Critical Applications**”). Avalanche assumes no liability for Products if used for Critical Applications. Should customer or distributor purchase, use, or sell any Avalanche component for Critical Applications, customer and distributor shall indemnify and hold harmless Avalanche and its subsidiaries, subcontractors, and affiliates and the directors, officers, and employees of each against all claims, costs, damages, and expenses and reasonable attorneys' fees arising out of, directly or indirectly, any claim of product liability, personal injury, or death arising in any way out of such Critical Application, whether or not Avalanche or its subsidiaries, subcontractors, or affiliates were negligent in the design, manufacture, or warning of the Products.

**Automotive Applications.** Products are not rated for use in automotive applications unless specified by Avalanche. Avalanche assumes no liability for Products if used for automotive applications. Distributor and customer shall assume the sole risk and liability for such use and shall indemnify and hold Avalanche harmless against all claims, costs, damages, and expenses and reasonable attorneys' fees arising out of, directly or indirectly, any claim of product liability, personal injury, death, or property damage resulting directly or indirectly from any use of Products in automotive applications.

**Customer Responsibility.** Customers are solely responsible for the design and operation of their systems using Products. It is customer's sole responsibility to determine whether Products are suited for their system. Customers are required to incorporate good safety design measures and adequate safeguards to eliminate risks of personal injury, death, or severe property or environmental damages that could result from failure of Products. **AVALANCHE ASSUMES NO LIABILITY FOR CUSTOMERS' PRODUCT DESIGN OR APPLICATIONS AND DAMAGES OR LOSSES OCCURRING AS A RESULT OF NONCOMPLIANCE WITH APPLICABLE LAWS AND REGULATIONS.**

Products are not to be used in applications that would violate any relevant export laws and regulations of the United States and Japan and all other countries having competent jurisdiction (“Export Laws”) to ensure neither MRAM products nor any direct product thereof is: (i) exported or re-exported directly or indirectly in violation of Export Laws; or (ii) used for any purpose prohibited by the Export Laws, including but not limited to nuclear, chemical, or biological weapons proliferation.

The information contained herein is presented only as guidance for Product use. Avalanche assumes no responsibility for any infringement of patents or any other intellectual property rights of third parties that may result from the use of Products. No license to any intellectual property right is granted by this document, whether expressed or implied. You may not perform compositional, structural, functional or other analysis of Products, or undertake deconvolution or reverse engineering with respect to Products.

### **Limited Warranty**

In no event shall Avalanche and its representatives be liable for any indirect, incidental, punitive, special or consequential damages (including but not limited to loss of use, revenue or profit), whether or not such damages are based on tort, warranty, breach of contract or other legal theory.

In no event shall Avalanche's aggregate liability for any breach, warranty, indemnity or other obligation or liability arising out of or in connection with the sale of Products or the use of any Products exceed the purchase price of the particular Product(s) or services with respect to which losses or damages are claimed.

## Revision History

Revision	Date	Change Summary
REV A.1	07/28/2023	Initial Release
REV A.2	09/25/2023 10/03/2023	Still Preliminary Removed Jedec reset Removed Deep power down Updated DC Characteristics Table
	10/10/2023	Changed Package from 49 to 56 Ball BGA
	10/13/2023	Changed Package from 55 to 56 ball BGA
	10/23/2023	Corrected package drawing
	10/30/2023	Updated Package Drawing from SFA
	10/31/2023	Updated Maximum rating table 35
	12/13/2023	Updated SRO on package drawing
REV A.3	01/17/2024	Removed Unique ID Register. CR1 default for WREN was incorrectly stated as 10. It is 00. CR2 default for latency was incorrectly stated as 0000. It is 8 cycles: 1000
REV B	03/18/2023	Updated to reflect the latest product roadmap: 64M is Single QSPI, and 128M is Dual QSPI Maximum Freq. set to 108MHz SDR/54MHz DDR Opcodes now fully match the 1-8Gb Family Device specification only given under radiation Added Marking Specification.